



# THE CRAVEN

## AT ATHERSTONE COMMUNITY

THE CRAVEN  
AT ATHERSTONE COMMUNITY  
ANGIER, NORTH CAROLINA

### SQUARE FOOTAGES

FIRST FLOOR (HTD.)	= 1077 sf
SECOND FLOOR (HTD.)	= 1320 sf
	2397 sf
GARAGE	= 431 sf
FRONT PORCH	= 111 sf
TOTAL	= 2939 sf

### INDEX OF SHEETS

A1.0	COVER SHEET
A2.0	FIRST FLOOR PLAN - CONC. SLAB
A2.1	SECOND FLOOR PLAN
A3.0	ELEVATIONS - CONC. SLAB
A3.1	ELEVATIONS - CONC. SLAB
E1.0	ELECTRICAL PLANS

### INDEX OF SHEETS (CONT.)

CS1	COVER SHEET, SPECIFICATIONS, REVS.
CS2	COVER SHEET (CONTINUED)
S1.0m	MONOLITHIC SLAB FOUNDATION
S3.0	SECOND FLOOR FRAMING PLAN
S4.0	ROOF FRAMING PLAN
S7.0	FIRST FLOOR BRACING PLAN
S8.0	SECOND FLOOR BRACING PLAN
D1-D7	STANDARD DETAILS

### ENGINEER

SUMMIT ENGINEERING

2520 WHITEHALL PARK DRIVE  
SUITE 250  
CHARLOTTE, NC 28273  
704-504-1717

### ARCHITECT

COX ARCHITECTURE  
& DESIGN, PLLC

R. CRAIG COX  
1310 SOUTH TRYON STREET  
SUITE 111  
CHARLOTTE, NC 28203  
980-237-3827

WWW.COXARCHITECTURE.COM  
CRAIG@COXARCHITECTURE.COM

### GENERAL CONTRACTOR

LGI HOMES

SCOTT STERLING  
V.P. OF CONSTRUCTION FOR MID-ATLANTIC  
704-953-3824

THESE DOCUMENTS ARE PROPERTY OF COX ARCHITECTURE AND DESIGN AND SHALL NOT BE USED OR REPRODUCED WITHOUT WRITTEN CONSENT BY COX ARCHITECTURE AND DESIGN. COX ARCHITECTURE AND DESIGN SHALL NOT BE LIABLE FOR ANY UNAUTHORIZED USE OF THESE DOCUMENTS.

PERMIT SET  
FOR CONSTRUCTION

16 OCTOBER 2021



COVER SHEET

A1.0



THE CRAVEN

THESE DOCUMENTS ARE PROPERTY OF  
 CDK ARCHITECTURE AND DESIGN AND  
 SHALL NOT BE USED OR REPRODUCED  
 WITHOUT WRITTEN CONSENT BY CDK  
 ARCHITECTURE AND DESIGN. CDK  
 ARCHITECTURE AND DESIGN SHALL NOT  
 BE LIABLE FOR ANY UNAUTHORIZED USE  
 OF THESE DOCUMENTS.

PERMIT SET  
 FOR CONSTRUCTION

16 OCTOBER 2021



CONC. SLAB  
 FLOOR PLAN  
 & GENERAL  
 NOTES

A2.0

**FLOOR PLAN NOTES**

- CONTRACTORS TO FIELD VERIFY ALL DIMENSIONS & NOTIFY ARCHITECT OF ANY DISCREPANCIES, ERRORS OR OMISSIONS PRIOR TO EXECUTION OF WORK.
- CLEANUP TO OCCUR DAILY.
- G.C. TO VERIFY FINISH GRADE @ HOUSE TO DETERMINE NUMBER OF STEPS.
- MECHANICAL CONTRACTOR TO COORDINATE W/ ARCHITECT LOCATION OF MAIN TRUNK & DISTRIBUTION LINES, REGISTERS (CENTER ALL REGISTERS ON WINDOWS), THERMOSTATS, AIR HANDLER & CONDENSERS.
- CEILING HEIGHTS LISTED ARE DIMENSIONED TO FRAMING (TOP OF SUBFL./ CONC. TO UNDERSIDE OF FRAMING ABOVE)
- CONCRETE SLABS & SETTING BEDS TO ACCOMMODATE FOR ADEQUATE WATER DRAINAGE AT GARAGES AND PORCHES
- ATTIC ACCESS DROP-DOWN STAIRS TO CONFORM WITH LOCAL AUTHORITIES BASED ON IRC (R507.1) MINIMUM NET CLEAR OPENING OF 20" x 30". ALL ATTIC ACCESS STAIRS TO BE WEATHER STRIPPED & SEALED WITH R-VALUES THAT CONFORM WITH LOCAL AUTHORITIES BASED ON IRC (N1102.2.4). GC TO PROVIDE & INSTALL INSULATION DAMS TO RESTRICT TYPICAL ATTIC INSULATION FROM FALLING THROUGH ATTIC ACCESS OPENING. RIGID FOAM BOX COVER TO BE INSTALLED & SEALED AROUND FRAMING OF OPENING. NOT TO IMPEDE OR OBSTRUCT PERFORMANCE OF ADJACENT TYPICAL ATTIC INSULATION.
- HOSE BIB(S) TO BE LOCATED 24" ABOVE FINISHED FLOOR (TYP.)

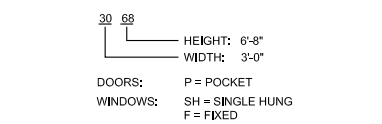
**WINDOW NOTES**

- ALL WINDOW DIMENSIONS ARE BASED ON M.I. WINDOW ROUGH OPENING CALL OUTS. UNO, FINAL SELECTION OF WINDOW SIZES ARE TO BE VERIFIED IN FIELD.
- WINDOWS TO BE INSTALLED BY CERTIFIED WINDOW INSTALLER PER MANUFACTURER'S INSTALLATION INSTRUCTIONS.
- WINDOW SUPPLIER TO SPECIFY & ORDER TEMPERED GLASS IN WINDOWS AS REQ'D BY LOCAL CODE.
- G.C. AND WINDOW SUPPLIER TO VERIFY THAT EACH BEDROOM TO HAVE A MINIMUM OF ONE WINDOW WHICH MEETS EMERGENCY EGRESS AS REQUIRED PER LOCAL AUTHORITIES BASED ON IRC 2018. WINDOW SUPPLIER TO ADD EGRESS HARDWARE TO CASEMENT WINDOWS IF NECESSARY.
- TOP OF INTERIOR CASING @ ADJACENT DOORS & WINDOWS TO ALIGN WHEN HEADER CALL OUTS ARE EQUAL

**DOOR NOTES**

- ATTIC ACCESS DOORS TO INCLUDE WEATHER STRIPPING & INSULATION
- TOP OF INTERIOR CASING @ ADJACENT DOORS & WINDOWS TO ALIGN WHEN HEADER CALL OUTS ARE EQUAL
- DOOR SUPPLIER TO SPECIFY & ORDER TEMPERED GLASS IN DOORS AS REQ'D BY LOCAL CODE.

**DOOR & WINDOW LEGEND**



**INSULATION NOTES**

INSULATION VALUES PER 2018 NRCR CH, 11 ENERGY CONSERVATION CODE

ANGIER, NC  
 HARNETT COUNTY - CLIMATE ZONE 4A

TABLE N1102.1.2

CEILING: R-38  
 FLOOR: R-19  
 WALL: R-15  
 SLAB: R-10, 2FT

**DESIGN SPECIFICATIONS**

- USE GROUP: (IBC 310)  
 "R-3" ONE & TWO FAMILY DWELLING
- CONSTRUCTION CLASS: (IBC 601)  
 "TYPE V-B" UNPROTECTED
- HEIGHT & AREA LIMIT: (LOCAL ZONING)  
 35' MAXIMUM 2 STORY HEIGHT
- EMERGENCY ESCAPE: (IRC 310-311)  
 EGRESS OR RESCUE WINDOWS FROM SLEEPING ROOMS SHALL HAVE MINIMUM OF 4.0 SQ. FT. NET CLEAR OPENING. MINIMUM 20" WIDTH. MINIMUM 22" HEIGHT. MAXIMUM 44" SILL HEIGHT
- GARAGE / HOUSE CEILING / ASSEMBLY: (IRC 702)  
 1/2" GYPSUM WALL BOARD  
 5/8" TYPE "X" GYPSUM BOARD CEILING WHERE LIVING IS ABOVE  
 20 MINUTE RATED GARAGE / HOUSE DOOR
- ATTIC VENTILATION: (IRC 806)  
 [TOTAL ATTIC SQ. FT.] / [300] = SQ. FT. AREA REQUIRED  
 RIDGE VENT:  
 [LINEAR FEET OF VENT] X [18 SQUARE INCHES IN FREE AREA] / 12 = SQ. FT. PROVIDED  
 SOFFIT VENT:  
 [LINEAR FEET OF VENT] X [7 SQUARE INCHES IN FREE AREA] / 12 = SQ. FT. PROVIDED  
 EDGE SHINGLE OVER VENT:  
 [LINEAR FEET OF VENT] X [9 SQUARE INCHES IN FREE AREA] / 12 = SQ. FT. PROVIDED  
 ROOF LOUVER VENTS:  
 [NUMBER OF VENTS] X [70 SQUARE INCHES IN FREE AREA] / 12 = SQ. FT. PROVIDED
- CRAWL SPACE VENTILATION: (IRC 408)  
 [TOTAL CRAWL SPACE SQ. FT.] / [300] = SQ. FT. AREA REQUIRED  
 FOUNDATION VENT:  
 FREE SPACE PROVIDED BY VENT = F  
 [FREE AREA REQUIRED] / F = NUMBER OF VENTS REQUIRED

**SQUARE FOOTAGES**

FIRST FLOOR (HTD.)	= 1077 sf
SECOND FLOOR (HTD.)	= 1320 sf
	= 2397 sf
GARAGE	= 431 sf
FRONT PORCH	= 111 sf
TOTAL	= 2939 sf

**FLOOR PLAN LEGEND**

- SS 6 SHELVES
- 1R 2S 1 ROD, 2 SHELVES
- 2R 2S 2 ROD, 2 SHELVES
- HR HANGING ROD
- CO CASED OPENING
- W D WASHER, DRYER
- DW DISH WASHER
- FRIG REFRIGERATOR
- LS LAZY SUSAN
- M MIRROR
- ▶ SHOWER HEAD
- ⊕ RAIN HEAD
- ⊙ TEMPERED GLASS

**WALL SCHEDULE**

- FRAMED WALLS
  - OVERHEAD/BELOW
- ALL WALLS ARE 2x4 WOOD STUD WALLS, UNO  
 5 1/2" DIMENSION INDICATES 2x6 WOOD STUD WALL

**STAIR NOTES**

- STAIR FABRICATOR / INSTALLER TO VERIFY THAT STAIRS MEET ALL REQ'D CODES
- ADJUSTMENTS TO STAIR TO BE CONFIRMED W/ ARCHITECT & CONTRACTOR PRIOR TO STAIR CONSTRUCTION

**CEILING HEIGHT NOTES**

- 8' - 1 1/2" CEILING HEIGHTS ON FIRST FLOOR
  - 8' - 1 1/2" CEILING HEIGHTS ON SECOND FLOOR
- MEASURED FROM TOP OF SUBFLOOR / CONCRETE SLAB TO BOTTOM OF FLOOR JOISTS / ROOF TRUSSES

**COLUMN NOTES**

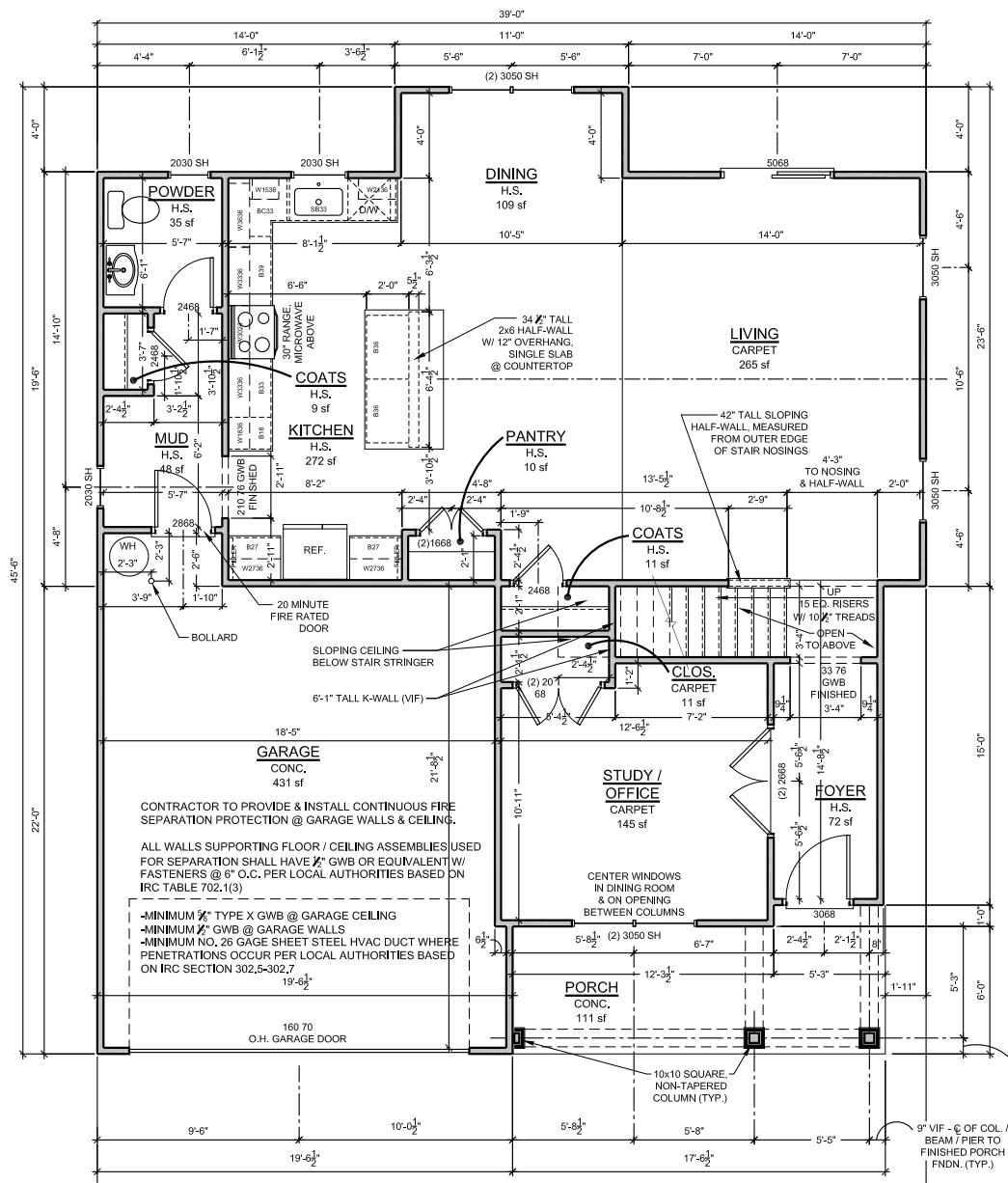
- COLUMNS TO BE: AFCC OR COLUMN OF EQUAL BEARING CAPACITY. (6000 # MINIMUM)
- TOP CONNECTION: (2) #8 - 1/2" x 3" STAINLESS STEEL SCREWS PER SIDE INSERTED INTO BEAM.
- BOTTOM CONNECTION: (3) UBS - #18043 BRACKETS FASTENED WITH (2) 1/2" x 1 1/2" SCREWS INTO COLUMN & (2) 1/2" x 3 1/2" CONCRETE SCREWS THROUGH FASTENER INTO CONCRETE

**ELECTRICAL PANEL/METER**

- MAXIMUM DISTANCE BETWEEN ELECTRICAL PANEL & ELECTRICAL METER (NEC 230.70) TO BE DETERMINED BY LOCAL AUTHORITY.

**GENERAL NOTES**

- DO NOT SCALE DRAWINGS; DESIGNATED DIMENSIONS SHALL BE USED IN PREFERENCE TO MEASUREMENTS BY SCALE.
- GENERAL CONTRACTOR SHALL VERIFY AND COMPLY TO ALL LOCAL & NATIONAL BUILDING CODES. CONTACT ARCHITECT IF INSPECTORS REQUIRE REVISIONS OR ALTERATIONS TO DRAWINGS.
- ALL SUB-CONTRACTORS SHALL BE RESPONSIBLE FOR DAMAGE TO OTHER TRADES.



1 FIRST FLOOR PLAN  
 A2.0 1/4" = 1'-0"

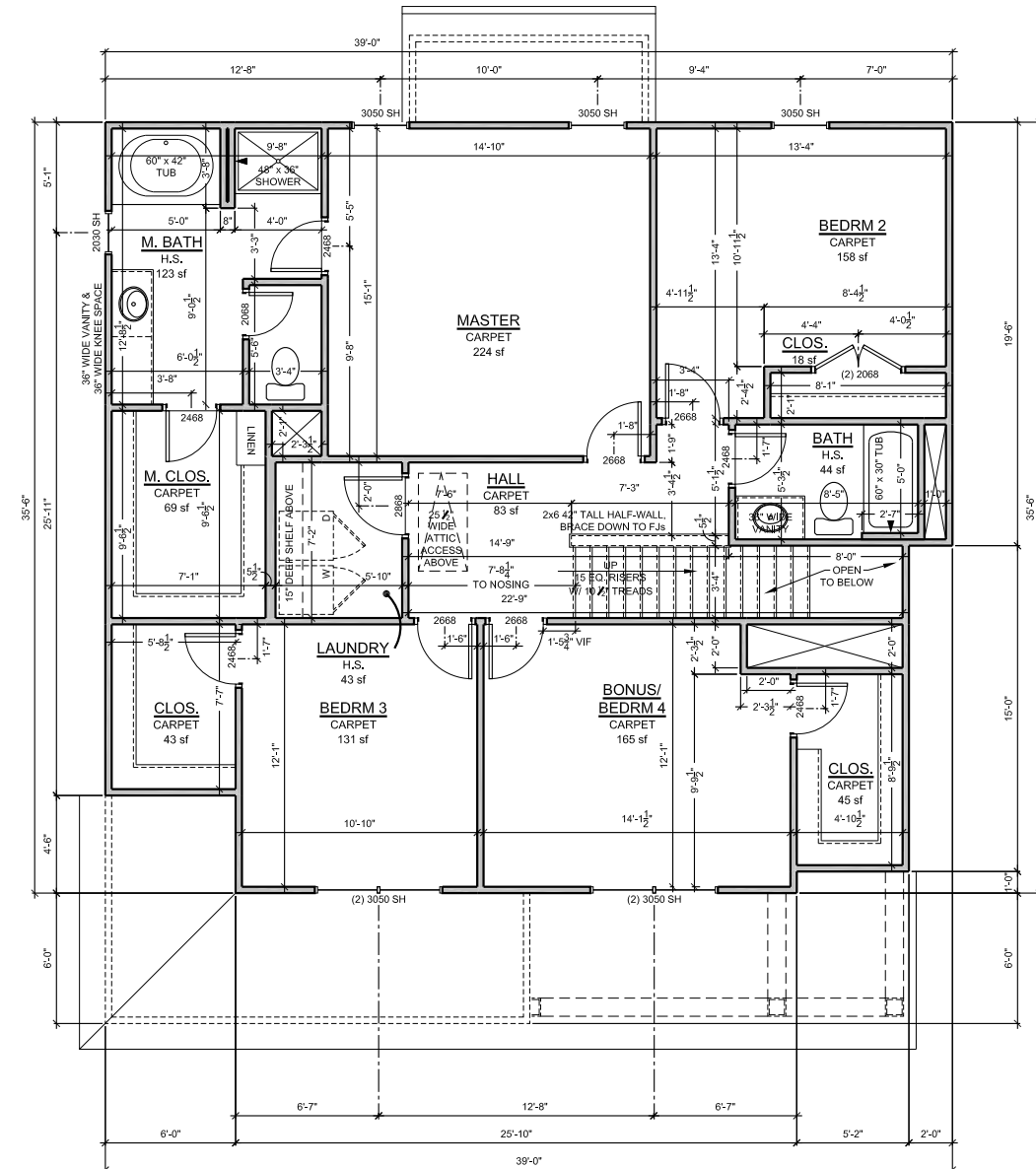


**SQUARE FOOTAGES**

FIRST FLOOR (HTD.)	= 1077 sf
SECOND FLOOR (HTD.)	= 1320 sf
	2397 sf
GARAGE	= 431 sf
FRONT PORCH	= 111 sf
TOTAL	= 2939 sf

**CEILING HEIGHT NOTES**

8' - 1 1/2" CEILING HEIGHTS ON FIRST FLOOR  
 8' - 1 1/2" CEILING HEIGHTS ON SECOND FLOOR  
 MEASURED FROM TOP OF  
 SUBFLOOR / CONCRETE SLAB  
 TO BOTTOM OF  
 FLOOR JOISTS / ROOF TRUSSES



**1 SECOND FLOOR PLAN**  
 A2.1 1/4" = 1'-0"

THE CRAVEN

THESE DOCUMENTS ARE PROPERTY OF  
 CDK ARCHITECTURE AND DESIGN AND  
 SHALL NOT BE USED OR REPRODUCED  
 WITHOUT WRITTEN CONSENT BY CDK  
 ARCHITECTURE AND DESIGN. CDK  
 ARCHITECTURE AND DESIGN SHALL NOT  
 BE LIABLE FOR ANY UNAUTHORIZED USE  
 OF THESE DOCUMENTS.

PERMIT SET  
 FOR CONSTRUCTION

16 OCTOBER 2021



FLOOR PLAN

A2.1

**ROOF NOTES**

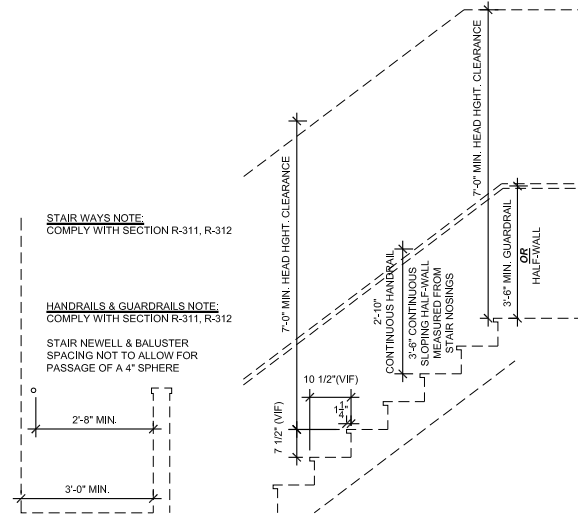
- CONTRACTORS TO FIELD VERIFY ALL DIMENSIONS & NOTIFY ARCHITECT OF ANY DISCREPANCIES, ERRORS OR OMISSIONS PRIOR TO EXECUTION OF WORK.
- ALL ROOF PENETRATIONS TO BE PLACED ON REAR SIDE OF MAIN RIDGE OR AS SPECIFIED BY ARCHITECT. PAINT TO MATCH SHINGLE COLOR.
- ATTIC INSULATION TO BE BATT, INSUL. PER CODE. PROVIDE BAFFLES @ PERIMETER TO ALLOW 2" FOR AIRFLOW FROM EAVE VENTS TO RIDGE VENTS.
- ROOF SHEATHING TO BE 5/8" T&G PLYWOOD W/ METAL CLIPS @ ENDS.
- ALL BATHROOM & DRYER VENT PENETRATIONS TO RUN TOWARD REAR OF HOUSE & VENT IN REAR OUTSIDE WALL OR ROOF BEHIND MAIN RIDGE.
- GUTTER & DOWNSPOUT INSTALLER TO PROVIDE ADEQUATE UNITS PER MANUFACTURER SPECIFICATIONS BASED ON ROOF COVERAGE. SUB-CONTRACTOR TO VERIFY NUMBER & LOCATION OF DOWNSPOUTS
- ALL SHINGLED ROOFS WITH A PITCH OF 4:12 OR LESS REQUIRE (2) LAYERS OF 30# FELT PAPER PER LOCAL AUTHORITIES BASED ON IRC 2018

**CEILING HEIGHT NOTES**

- 8' - 1 1/2" CEILING HEIGHTS ON FIRST FLOOR
  - 8' - 1 1/2" CEILING HEIGHTS ON SECOND FLOOR
- MEASURED FROM TOP OF SUBFLOOR / CONCRETE SLAB TO BOTTOM OF FLOOR JOISTS / ROOF TRUSSES

**INSULATION NOTES**

- INSULATION VALUES PER 2018 NCRC CH. 11 ENERGY CONSERVATION CODE
- ANGIER, NC  
HARNETT COUNTY - CLIMATE ZONE 4A
- TABLE N1102.1.2
- |          |           |
|----------|-----------|
| CEILING: | R-38      |
| FLOOR:   | R-19      |
| WALL:    | R-15      |
| SLAB:    | R-10, 2FT |



**2 STAIR DETAIL / NOTES**  
1/4" = 1'-0"



**1 FRONT ELEVATION**  
1/4" = 1'-0"

THE CRAVEN

THESE DOCUMENTS ARE PROPERTY OF CDX ARCHITECTURE AND DESIGN AND SHALL NOT BE USED OR REPRODUCED WITHOUT WRITTEN CONSENT BY CDX ARCHITECTURE AND DESIGN. CDX ARCHITECTURE AND DESIGN SHALL NOT BE LIABLE FOR ANY UNAUTHORIZED USE OF THESE DOCUMENTS.

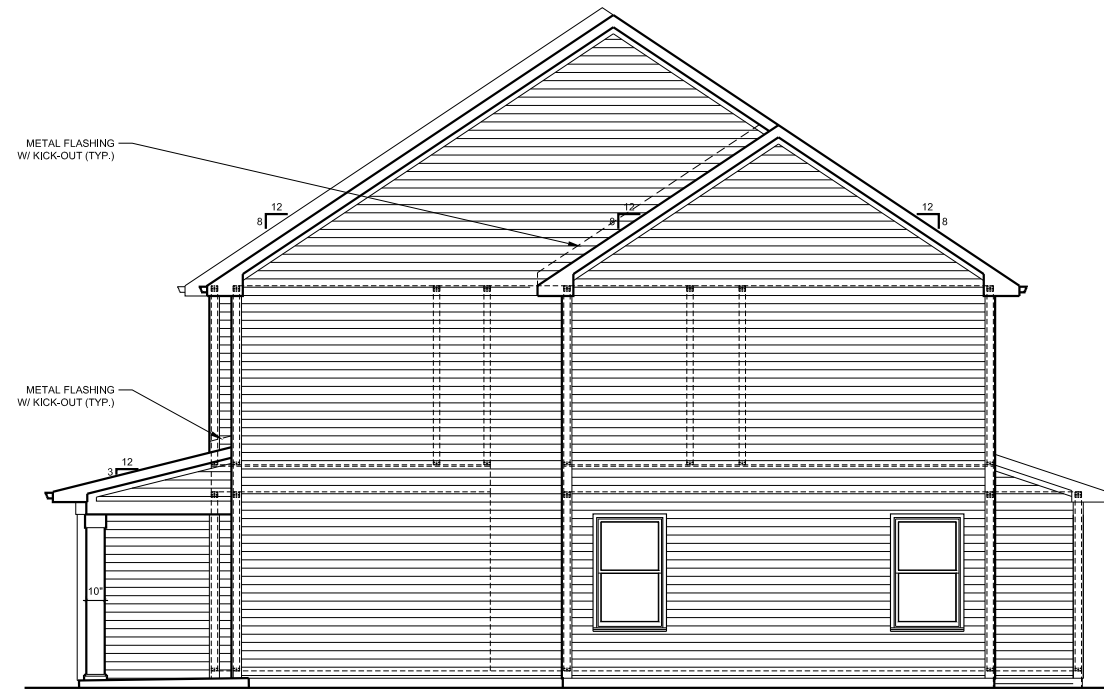
PERMIT SET FOR CONSTRUCTION

16 OCTOBER 2021



CONC. SLAB ELEVATION & STAIR DETAILS

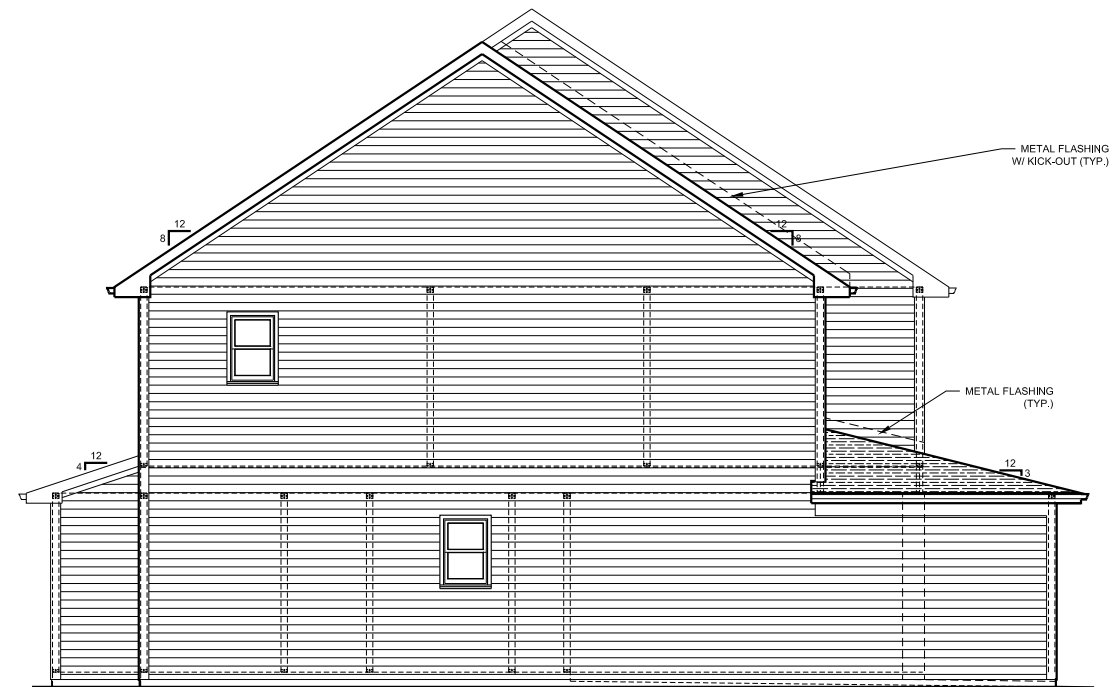
A3.0



**2 RIGHT SIDE ELEVATION**  
A3.1 1/4" = 1'-0"



**3 REAR ELEVATION**  
A3.1 1/4" = 1'-0"



**1 LEFT SIDE ELEVATION**  
A3.1 1/4" = 1'-0"

THE CRAVEN

THESE DOCUMENTS ARE PROPERTY OF CDK ARCHITECTURE AND DESIGN AND SHALL NOT BE USED OR REPRODUCED WITHOUT WRITTEN CONSENT BY CDK ARCHITECTURE AND DESIGN. CDK ARCHITECTURE AND DESIGN SHALL NOT BE LIABLE FOR ANY UNAUTHORIZED USE OF THESE DOCUMENTS.

PERMIT SET FOR CONSTRUCTION

16 OCTOBER 2021



CONC. SLAB ELEVATIONS

A3.1

**ELECTRICAL LEGEND**

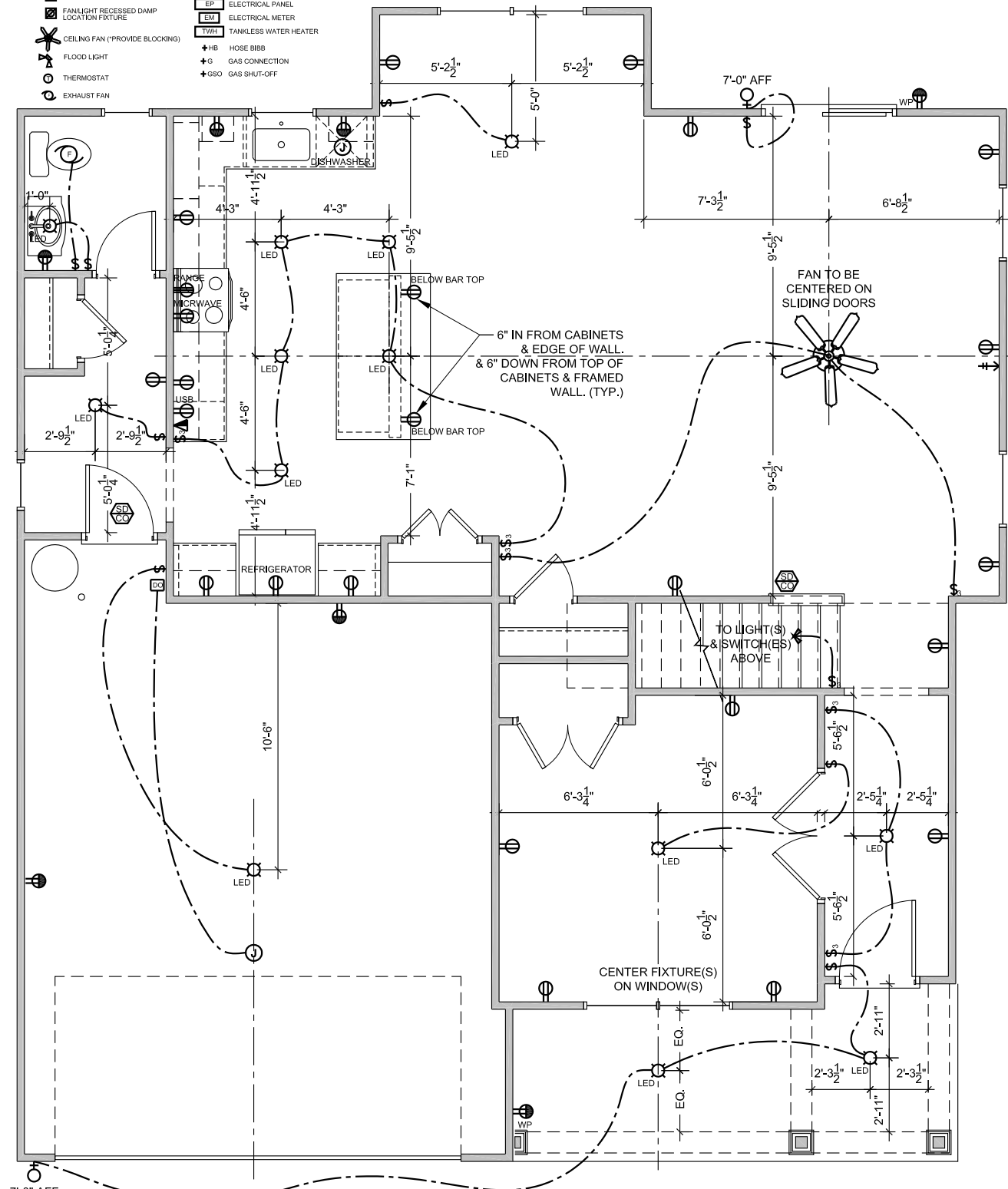
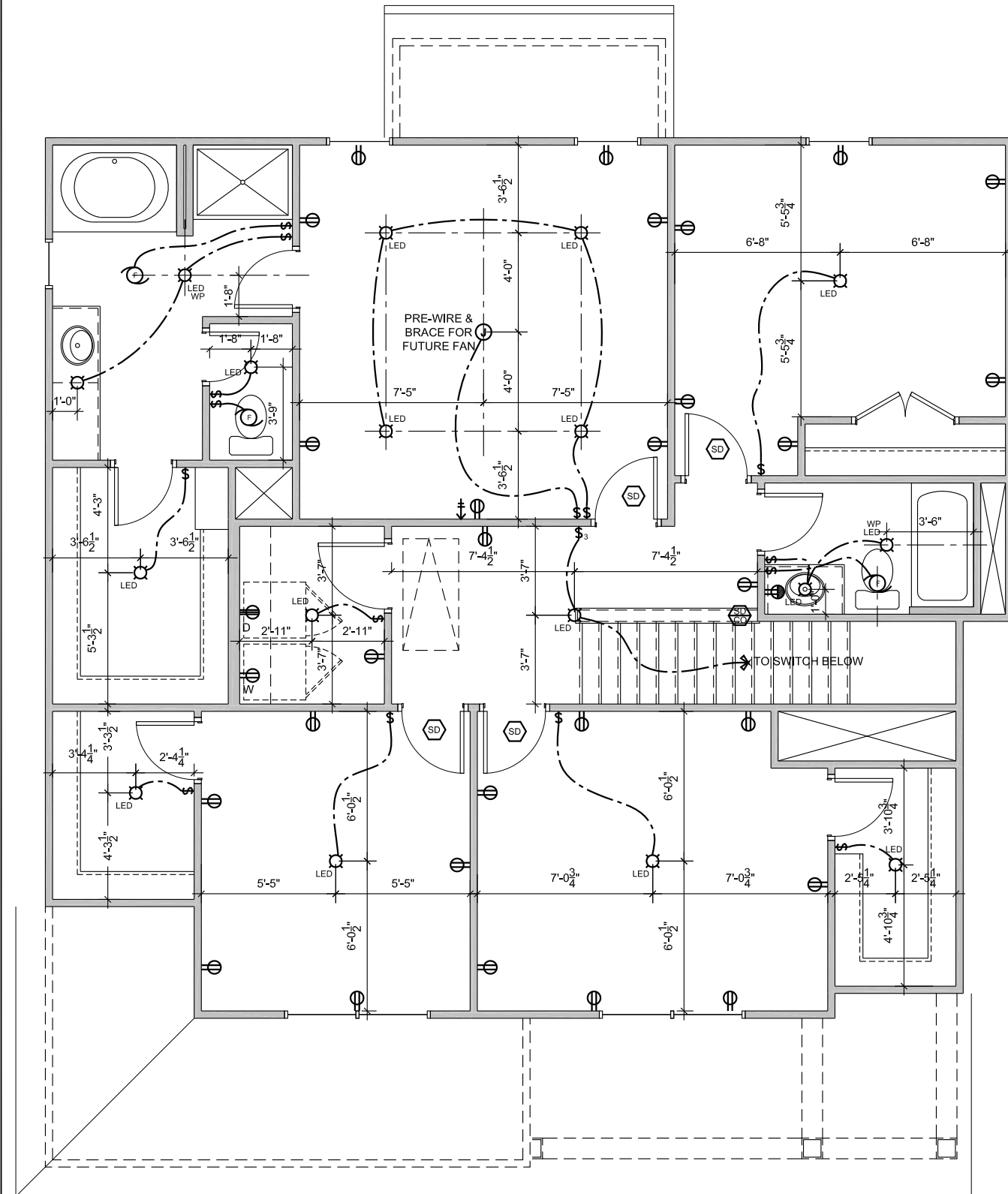
- 120 OUTLET, 18" A.F.F. TO CENTER OR 12" ABOVE COUNTERTOPS
- G.F.I. 120 OUTLET, 18" A.F.F. TO CENTER OR 12" ABOVE COUNTERTOPS
- WEATHER PROOF GFI 120 OUTLET
- 240 OUTLET, COORDINATE EXACT LOCATION WITH EQUIPMENT SPECIFICATIONS
- 1/2 SWITCHED 120 OUTLET, 18" A.F.F. TO CENTER OR 12" ABOVE COUNTERTOPS
- 120 QUADRUPLEX OUTLET, 18" A.F.F. TO CENTER
- USB OUTLET, 18" A.F.F. TO CENTER OR 12" ABOVE COUNTERTOPS
- FLOOR 120 OUTLET (FLUSH) (TBD IN FIELD W/ OWNER)
- JUNCTION BOX
- CEILING LIGHT FIXTURE (LED)
- WALL LIGHT FIXTURE
- 4" RECESSED LIGHT FIXTURE
- 4" RECESSED DAMP LOCATION LIGHT FIXTURE
- 4" RECESSED EYEBALL FIXTURE
- FANLIGHT RECESSED FIXTURE
- FANLIGHT RECESSED DAMP LOCATION FIXTURE
- CEILING FAN (\*PROVIDE BLOCKING)
- FLOOD LIGHT
- THERMOSTAT
- EXHAUST FAN
- SMOKE/CARBON MONOXIDE DETECTOR
- DOOR BELL
- DOOR BELL CHIME
- DOOR BELL TRANSFORMER
- WALL SWITCH, 48" A.F.F. TO CENTER
- DIMMER SWITCH, 48" A.F.F. TO CENTER
- 3 WAY SWITCH, 48" A.F.F. TO CENTER
- 4 WAY SWITCH, 48" A.F.F. TO CENTER
- 3 WAY STACKED SWITCH
- PHONE, 18" A.F.F. TO CENTER, 'W' INDICATES WALL MOUNTED @ 48" A.F.F.
- DATA, 18" A.F.F. TO CENTER, 'W' INDICATES WALL MOUNTED @ 48" A.F.F.
- CABLE
- FLUORESCENT LIGHT FIXTURE
- ZENON UNDER CABINET LIGHT TO BE MTD. TO BOTTOM OF WALL CAB. NEAR FRONT EDGE
- PLUG MOLD TO BE MTD. TO BOTTOM OF WALL CAB. NEAR WALL
- LED TAPE LIGHT
- DOOR OPENER
- ELECTRICAL PANEL
- ELECTRICAL METER
- TANKLESS WATER HEATER
- HOSE BIBB
- GAS CONNECTION
- GAS SHUT-OFF

**ELECTRICAL NOTES**

- LIGHT FIXTURES IN CLOSETS TO COMPLY WITH SECTION 410.8 OF THE LATEST VERSION OF THE NEC HANDBOOK
- SMOKE/CARBON MONOXIDE DETECTORS TO BE INSTALLED PER MANUFACTURERS INSTRUCTIONS. QUANTITY AND LOCATION OF CARBON MONOXIDE DETECTORS TO BE DETERMINED BY LOCAL AUTHORITY.
- LIGHT SWITCHES & OUTLETS LOCATED AT COUNTERTOP SIDEWALLS ARE TO BE A MAXIMUM OF 18" FROM CENTERLINE OF SWITCH/OUTLET TO COUNTERTOP REAR WALL.

**ELECTRICAL PANEL / METER**

- MAXIMUM DISTANCE BETWEEN ELECTRICAL PANEL & ELECTRICAL METER (NEC 230.70) TO BE DETERMINED BY LOCAL AUTHORITY.



DESIGN SPECIFICATIONS:

Construction Type: Commercial  Residential

Applicable Building Codes:

- 2018 North Carolina Residential Building Code
- ASCE 7-10: Minimum Design Loads for Buildings and Other Structures

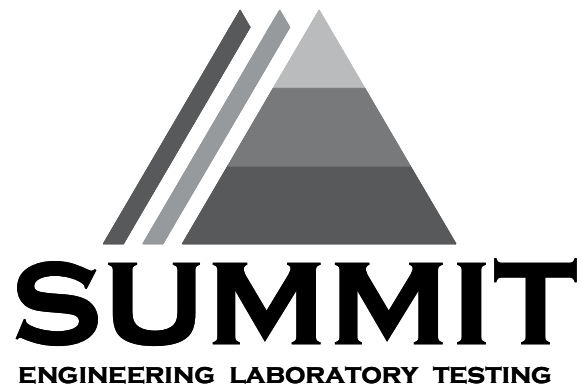
Design Loads:

1. Roof
  - 1.1 Live..... 20 PSF
  - 1.2 Dead..... 10 PSF
  - 1.3 Snow..... 15 PSF
    - 1.3.1 Importance Factor..... 1.0
2. Floor Live Loads
  - 2.1 Typ. Dwelling..... 40 PSF
  - 2.2 Sleeping Areas..... 30 PSF
  - 2.3 Balconies (exterior) and Decks..... 40 PSF
  - 2.4 Garage Parking..... 50 PSF
3. Floor Dead Loads
  - 3.1 Conventional 2x..... 10 PSF
  - 3.2 1-Joist..... 15 PSF
  - 3.3 Floor Truss..... 15 PSF
4. Ultimate Wind Speed (3 sec. gust)..... 130 MPH
  - 4.1 Exposure..... B
  - 4.2 Importance Factor..... 1.0
  - 4.3 Wind Base Shear
    - 4.3.1 V<sub>x</sub> =
    - 4.3.2 V<sub>y</sub> =
5. Component and Cladding (in PSF)

MEAN ROOF HT.	UP TO 30'	30'1"-35'	35'1"-40'	40'1"-45'
ZONE 1	16.7,-18.0	17.5,-18.9	18.2,-19.6	18.7,-20.2
ZONE 2	16.7,-21.0	17.5,-22.1	18.2,-22.9	18.7,-23.5
ZONE 3	16.7,-21.0	17.5,-22.1	18.2,-22.9	18.7,-23.5
ZONE 4	18.2,-19.0	19.2,-20.0	19.9,-20.7	20.4,-21.3
ZONE 5	18.2,-24.0	19.2,-25.2	19.9,-26.1	20.4,-26.9

6. Seismic

- 6.1 Site Class.....D
  - 6.2 Design Category.....C
  - 6.3 Importance Factor.....1.0
  - 6.4 Seismic Use Group.....1
  - 6.5 Spectral Response Acceleration
    - 6.5.1 S<sub>ms</sub> = %g
    - 6.5.2 S<sub>m1</sub> = %g
  - 6.6 Seismic Base Shear
    - 6.6.1 V<sub>x</sub> =
    - 6.6.2 V<sub>y</sub> =
  - 6.7 Basic Structural System (check one)
    - Bearing Wall
    - Building Frame
    - Moment Frame
    - Dual w/ Special Moment Frame
    - Dual w/ Intermediate R/C or Special Steel
    - Inverted Pendulum
  - 6.8 Arch/Mech Components Anchored?.....No
  - 6.9 Lateral Design Control: Seismic  Wind
7. Assumed Soil Bearing Capacity.....2000psf



STRUCTURAL PLANS PREPARED FOR:

## CRAVEN OFFICE/HOME STUDY

PROJECT ADDRESS: TBD OWNER: LGI Homes  
7201 Creedmoor Road, Suite 147  
Raleigh, NC 27613

ARCHITECT/DESIGNER:  
COX Architecture & Design, PLLC  
1310 South Tryon Street, Suite 111  
Charlotte, NC 28203

These drawings are to be coordinated with the architectural, mechanical, plumbing, electrical, and civil drawings. This coordination is not the responsibility of the structural engineering of record (SER). Should any discrepancies become apparent, the contractor shall notify SUMMIT Engineering, Laboratory & Testing, INC. before construction begins.

PLAN ABBREVIATIONS:

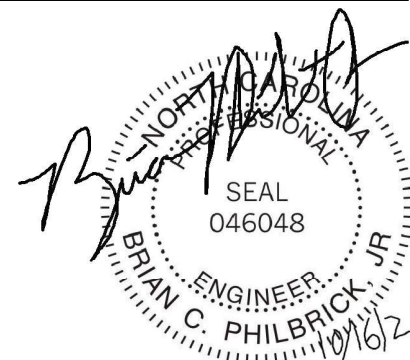
AB	Anchor Bolt	OC	On Center
ACI	American Concrete Institute	PCF	Pounds per Cubic Foot
ASCE	American Society of Civil Engineers	PCI	Pounds per Cubic Inch
AFA	American Fiberboard Association	PSF	Pounds per Square Foot
AFF	Above Finished Floor	PSI	Pounds per Square Inch
AISC	American Institute for Steel Construction	PT	Pressure Treated
APA	American Plywood Association	SC	Stud Column
AWS	American Welding Society	SER	Structural Engineer of Record
CJ	Ceiling Joist	SJ	Single Joist
CLR	Clear	SPF	Spruce Pine Fir
DBL	Double	SST	Simpson Strong Tie
DJ	Double Joist	ST	Single Truss
DSP	Double Stud Pocket	STD	Standard
EA	Each	TJ	Triple Joist
EE	Each End	TOF	Top of Footing
EOS	Edge of Slab	TSP	Triple Stud Pocket
EW	Each Way	TYP	Typical
HDG	Hot Dipped Galvanized	UNO	Unless Noted Otherwise
NDS	Nation Design Spec. for Wood	WWF	Welded Wire Fabric
NTS	Not to Scale		

SHEET LIST:

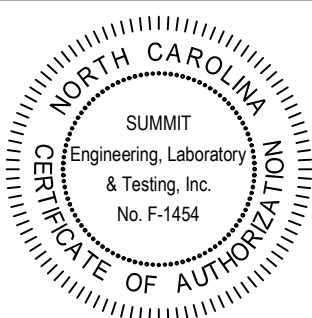
Sheet No.	Description
CS1	Cover Sheet, Specifications, Revisions
CS2	Specifications Continued
S1.0m	Monolithic Slab Foundation
S1.0s	Stem Wall Foundation
S1.0c	Crawl Space Foundation
S1.0b	Basement Foundation
S2.0	Basement Framing Plan
S3.0	First Floor Framing Plan
S4.0	Second Floor Framing Plan
S5.0	Roof Framing Plan
S6.0	Basement Bracing Plan
S7.0	First Floor Bracing Plan
S8.0	Second Floor Bracing Plan

REVISION LIST:

Revision No.	Date	Project No.	Description
0	10/24/19	25255	Original Engineering
1	11/26/19	25255R	Removed pressure treated from beam schedule label and porch headers
2	10/14/21		CREATED OFFICE/HOME STUDY VERSION OF PLAN



STRUCTURAL MEMBERS ONLY



PROJECT: CRAVEN OFFICE/HOME STUDY  
Coversheet  
CLIENT: LGI Homes  
7201 Creedmoor Road, Suite 147  
Raleigh, NC 27613

CURRENT DRAWING  
DATE: 10/14/2021  
SCALE: 1/8"=1'-0"  
PROJECT #: 1203-08R: 25255R  
DRAWN BY: BAF  
CHECKED BY: CTB

ORIGINAL DRAWING  
DATE: 10/24/19 PROJECT #: 25255

REFER TO COVER SHEET FOR A COMPLETE LIST OF REVISIONS

SHEET  
**CS1**

GENERAL STRUCTURAL NOTES:

- The design professional whose seal appears on these drawings is the structural engineer of record (SER) for this project. The SER bears the responsibility of the primary structural elements and the performance of this structure. No other party may revise, alter, or delete any structural aspects of these construction documents without written permission of SUMMIT Engineering, Laboratory & Testing, INC. (SUMMIT) or the SER. For the purposes of these construction documents the SER and SUMMIT shall be considered the same entity.
- The structure is only stable in its completed form. The contractor shall provide all required temporary bracing during construction to stabilize the structure.
- The SER is not responsible for construction sequences, methods, or techniques in connection with the construction of this structure. The SER will not be held responsible for the contractor's failure to conform to the contract documents, should any non-conformities occur.
- Any structural elements or details not fully developed on the construction drawings shall be completed under the direction of a licensed professional engineer. These shop drawings shall be submitted to SUMMIT for review before any construction begins. The shop drawings will be reviewed for overall compliance as it relates to the structural design of this project. Verification of the shop drawings for dimensions, or for actual field conditions, is not the responsibility of the SER or SUMMIT.
- Verification of assumed field conditions is not the responsibility of the SER. The contractor shall verify the field conditions for accuracy and report any discrepancies to SUMMIT before construction begins.
- The SER is not responsible for any secondary structural elements or non-structural elements, except for the elements specifically noted on the structural drawings.
- This structure and all construction shall conform to all applicable sections of the international residential code.
- This structure and all construction shall conform to all applicable sections of the 2018 North Carolina Residential Code (NCRC) and any local codes or restrictions

FOUNDATIONS:

- Foundations shall be constructed in accordance with chapter 4 of the 2018 NC Residential Building Code (Special consideration shall be given to Chapter 45 in wind zones 130mph and above)
- Footing sizes based on a presumptive soil bearing capacity of 2000 PSF. Contractor is solely responsible for verifying the suitability of the site soil conditions at the time of construction
- Maximum depth of unbalanced fill against masonry walls to be as specified in section R404.1 of the 2018 NCRC
- The structural engineer has not performed a subsurface investigation. Verification of this assumed value is the responsibility of the owner or the contractor. Should any adverse soil condition be encountered the SER must be contacted before proceeding.
- The bottom of all footings shall extend below the frost line for the region in which the structure is to be constructed. However, the bottom of all footings shall be a minimum of 12" below grade.
- Any fill shall be placed under the direction or recommendation of a licensed professional engineer. The resulting soil shall be compacted to a minimum of 95% maximum dry density.
- Excavations of footings shall be lined temporarily with a 6 mil polyethylene membrane if placement of concrete does not occur within 24 hours of excavation.
- No concrete shall be placed against any subgrade containing water, ice, frost, or loose material.
- Each crawl space pier shall bear in the middle third of its respective footing and each girder shall bearing in the middle third of the piers. Pilasters to be bonded to perimeter foundation wall
- Crawl spaced to be graded level and clear of all debris
- Provide foundation waterproofing and drain with positive slope to outlet as required by site conditions
- Energy efficiency compliance and insulation of the structure to be in accordance with chapter 11 of the 2018 NCRC

CONCRETE:

- Concrete shall have a normal weight aggregate and a minimum compressive strength (f'c) at 28 days of 3000 psi, unless otherwise noted on the plan.
- Concrete shall be proportioned, mixed, and placed in accordance with the latest editions of ACI 318: "Building Code Requirements for Reinforced Concrete" and ACI 301: "Specifications for Structural Concrete for Buildings".
- Air entrained concrete must be used for all structural elements exposed to freeze/thaw cycles and deicing chemicals. Air entrainment amounts (in percent) shall be within -1% to +2% of target values as follows:
  - Footings: 5%
  - Exterior Slabs: 5%
- No admixtures shall be added to any structural concrete without written permission of the SER
- Concrete slabs-on-grade shall be constructed in accordance with ACI 302.1R-96: "Guide for Concrete Slab and Slab Construction".
- The concrete slab-on-grade has been designed using a subgrade modulus of k=250 pci and a design loading of 200 psf. The SER is not responsible for differential settlement, slab cracking or other future defects resulting from unreported conditions not in accordance with the above assumptions.
- Control or saw cut joints shall be spaced in interior slabs-on-grade at a maximum of 15'-0" O.C. and in exterior slabs-on-grade at a maximum of 10'-0" unless otherwise noted.
- Control or saw cut joints shall be produced using conventional process within 4 to 12 hours after the slab has been finished
- Reinforcing steel may not extend through a control joint. Reinforcing steel may extend through a saw cut joint.
- All welded wire fabric (W.W.F.) for concrete slabs-on-grade shall be placed at mid-depth of slab. The W.W.F. shall be securely supported during the concrete pour. Fibermesh may be used in lieu of W.W.F.

CONCRETE REINFORCEMENT:

- Fibrous concrete reinforcement, or fibermesh, specified in concrete slabs-on-grade may be used for control of cracking due to shrinkage and thermal expansion/contraction, lowered water migration, an increase in impact capacity, increased abrasion resistance, and residual strength.
- Fibermesh reinforcing to be 100% virgin polypropylene fibers containing no reprocessed olefin materials and specifically manufactured for use as concrete secondary reinforcement.
- Application of fibermesh per cubic yard of concrete shall equal a minimum of 0.1% by volume (1.5 pounds per cubic yard)
- Fibermesh shall comply with ASTM C1116, any local building code requirements, and shall meet or exceed the current industry standard.
- Steel Reinforcing bars shall be new billet steel conforming to ASTM A615, grade 60.
- Detailing, fabrication, and placement of reinforcing steel shall be in accordance with the latest edition of ACI 315: "Manual of Standard Practice for Detailing Concrete Structures"
- Horizontal footing and wall reinforcement shall be continuous and shall have 90° bends, or corner bars with the same size/spacing as the horizontal reinforcement with a class B tension splice.
- Lap reinforcement as required, a minimum of 40 bar diameters for tension or compression unless otherwise noted. Splices in masonry shall be a minimum of 48 bar diameters.
- Where reinforcing dowels are required, they shall be equivalent in size and spacing to the vertical reinforcement. The dowel shall extend 48 bar diameters vertically and 20 bar diameters into the footing.
- Where reinforcing steel is required vertically, dowels shall be provided unless otherwise noted.

WOOD FRAMING:

- Solid sawn wood framing members shall conform to the specifications listed in the latest edition of the "National Design Specification for Wood Construction" (NDS). Unless otherwise noted, all wood framing members are designed to be Southern Yellow Pine (SYP) #2.
- LVL or PSL engineered wood shall have the following minimum design values:
  - E = 1,900,000 psi
  - Fb = 2600 psi
  - Fv = 285 psi
  - Fc = 700 psi
- Wood in contact with concrete, masonry, or earth shall be pressure treated in accordance with AWPA standard C-15. All other moisture exposed wood shall be treated in accordance with AWPA standard C-2
- Nails shall be common wire nails unless otherwise noted.
- Lag screws shall conform to ANSI/ASME standard B18.2.1-1981. Lead holes for lag screws shall be in accordance with NDS specifications.
- All beams shall have full bearing on supporting framing members unless otherwise noted.
- Exterior and load bearing stud walls are to be 2x4 SYP#2 @16" O.C. unless otherwise noted. Studs shall be continuous from the sole plate to the double top plate. Studs shall only be discontinuous at headers for window/door openings. A minimum of one king stud shall be placed at each end of the header. King studs shall be continuous.
- Individual studs forming a column shall be attached with one 10d nail @6" O.C. staggered. The stud column shall be continuous to the foundation or beam. The column shall be fully blocked at all floor levels to ensure proper load transfer.
- Multi-ply beams shall have each ply attached with (3)10d nails @ 24" O.C.
- Fitch beams and four and five ply beams shall be bolted together with (2) rows of 1/2" dia. through bolts staggered @24" O.C. w/ 2" edge distance and (2) bolts located at 6" from each end, unless noted otherwise.

WOOD TRUSSES:

- The wood truss manufacturer/fabricator is responsible for the design of the wood trusses. Submit sealed shop drawings and supporting calculations to the SER for review prior to fabrication. The SER shall have a minimum of five (5) days for review. The review by the SER shall review for overall compliance with the design documents. The SER shall assume no responsibility for the correctness for the structural design for the wood trusses.
- The wood trusses shall be designed for all required loadings as specified in the local building code, the ASCE Standard "Minimum Design Loads for Buildings and Other Structures." (ASCE 7-10), and the loading requirements shown on these specifications. The truss drawings shall be coordinated with all other construction documents and provisions provided for loads shown on these drawings including but not limited to HVAC equipment, piping, and architectural fixtures attached to the trusses.
- The trusses shall be designed, fabricated, and erected in accordance with the latest edition of the "National Design Specification for Wood Construction." (NDS) and "Design Specification for Metal Plate Connected Wood Trusses."
- The truss manufacturer shall provide adequate bracing information in accordance with "Commentary and Recommendations for Handling, Installing, and Bracing Metal Plate Connected Wood Trusses" (HIB-91). This bracing, both temporary and permanent, shall be shown on the shop drawings. Also, the shop drawings shall show the required attachments for the trusses.
- Any chords or truss webs shown on these drawings have been shown as a reference only. The final design of the trusses shall be per the manufacturer.

WOOD STRUCTURAL PANELS:

- Fabrication and placement of structural wood sheathing shall be in accordance with the APA Design/Construction Guide "Residential and Commercial," and all other applicable APA standards.
- All structurally required wood sheathing shall bear the mark of the APA.
- Wood wall sheathing shall comply with the requirements of local building codes for the appropriate state as indicated on these drawings. Refer to wall bracing notes in plan set for more information. Sheathing shall be applied with the long direction perpendicular to framing, unless noted otherwise.
- Roof sheathing shall be APA rated sheathing exposure 1 or 2. Roof sheathing shall be continuous over two supports and attached to its supporting roof framing with (1)-8d CC nail at 6"o/c at panel edges and at 12"o/c in panel field unless otherwise noted on the plans. Sheathing shall be applied with the long direction perpendicular to framing. Sheathing shall have a span rating consistent with the framing spacing. Use suitable edge support by use of plywood clips or lumber blocking unless otherwise noted. Panel end joints shall occur over framing. Apply building paper over the sheathing as required by the state Building Code.
- Wood floor sheathing shall be APA rated sheathing exposure 1 or 2. Attach sheathing to its supporting framing with (1)-8d CC ringshank nail at 6"o/c at panel edges and at 12"o/c in panel field unless otherwise noted on the plans. Sheathing shall be applied perpendicular to framing. Sheathing shall have a span rating consistent with the framing spacing. Use suitable edge support by use of T&G plywood or lumber blocking unless otherwise noted. Panel end joints shall occur over framing. Apply building paper over the sheathing as required by the state Building Code.
- Sheathing shall have a 1/8" gap at panel ends and edges as recommended in accordance with the APA.

STRUCTURAL FIBERBOARD PANELS:

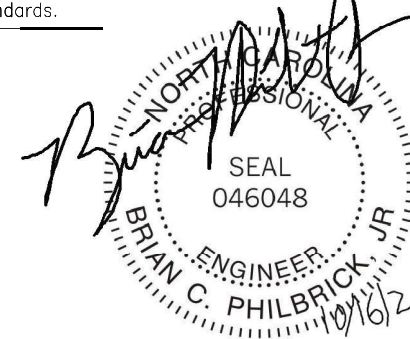
- Fabrication and placement of structural fiberboard sheathing shall be in accordance with the applicable AFA standards.
- Fiberboard wall sheathing shall comply with the requirements of local building codes for the appropriate state as indicated on these drawings. Refer to wall bracing notes in plan set for more information.
- Sheathing shall have a 1/8" gap at panel ends and edges are recommended in accordance with the AFA.

EXTERIOR WOOD FRAMED DECKS:

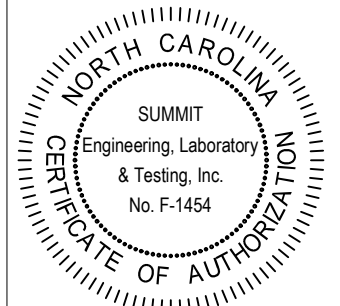
- Decks are to be framed in accordance with local building codes and as referenced on the structural plans, either through code references or construction details.

STRUCTURAL STEEL:

- Structural steel shall be fabricated and erected in accordance with the American Institute of Steel Construction "Code of Standard Practice for Steel Buildings and Bridges" and of the manual of Steel Construction "Load Resistance Factor Design" latest editions.
- All steel shall have a minimum yield stress (Fy) of 36 ksi unless otherwise noted.
- Welding shall conform to the latest edition of the American Welding Society's Structural Welding Code AWS D1.1. Electrodes for shop and field welding shall be class E70XX. All welding shall be performed by a certified welder per the above standards.



STRUCTURAL MEMBERS ONLY



PROJECT  
**CRAVEN OFFICE/HOME STUDY**  
 Coversheet  
 CLIENT  
**LGI Homes**  
**7201 Creedmoor Road, Suite 147**  
**Raleigh, NC 27613**

**CURRENT DRAWING**

DATE: 10/14/2021  
 SCALE: 1/8"=1'-0"  
 PROJECT #: 1203-08R: 25255R  
 DRAWN BY: BAF  
 CHECKED BY: CTB

**ORIGINAL DRAWING**

DATE PROJECT #  
 10/24/19 25255

REFER TO COVER SHEET FOR A COMPLETE LIST OF REVISIONS

SHEET

**CS2**



**FOUNDATION NOTES:**

- FOUNDATIONS TO BE CONSTRUCTED IN ACCORDANCE WITH CHAPTER 4 OF THE 2018 NORTH CAROLINA RESIDENTIAL BUILDING CODE WITH ALL LOCAL AMENDMENTS.
- STRUCTURAL CONCRETE TO BE  $F_c = 3000$  PSI, PREPARED AND PLACED IN ACCORDANCE WITH ACI STANDARD 318.
- FOOTINGS TO BE PLACED ON UNDISTURBED EARTH, BEARING A MINIMUM OF 12" BELOW ADJACENT FINISHED GRADE, OR AS OTHERWISE DIRECTED BY THE CODE ENFORCEMENT OFFICIAL.
- FOOTING SIZES BASED ON A PRESUMPTIVE SOIL BEARING CAPACITY OF 2000 P.S.F. CONTRACTOR IS SOLELY RESPONSIBLE FOR VERIFYING THE SUITABILITY OF THE SITE SOIL CONDITIONS AT THE TIME OF CONSTRUCTION.
- FOOTINGS AND PIERS SHALL BE CENTERED UNDER THEIR RESPECTIVE ELEMENTS. PROVIDE 2" MINIMUM FOOTING PROJECTION FROM THE FACE OF MASONRY.
- MAXIMUM DEPTH OF UNBALANCED FILL, AGAINST MASONRY WALLS TO BE AS SPECIFIED IN SECTION R404.1 OF THE 2018 NORTH CAROLINA RESIDENTIAL BUILDING CODE.
- PILASTERS TO BE BONDED TO PERIMETER FOUNDATION WALL.
- PROVIDE FOUNDATION WATERPROOFING, AND DRAIN WITH POSITIVE SLOPE TO OUTLET AS REQUIRED BY SITE CONDITIONS.
- PROVIDED PERIMETER INSULATION FOR ALL FOUNDATIONS PER 2018 NORTH CAROLINA RESIDENTIAL BUILDING CODE.
- CORBEL FOUNDATION WALL AS REQUIRED TO ACCOMMODATE BRICK VENEERS.
- CRAIL SPACE TO BE GRADED LEVEL, AND CLEARED OF ALL DEBRIS.
- FOUNDATION ANCHORAGE SHALL BE CONSTRUCTED PER THE 2018 NORTH CAROLINA RESIDENTIAL CODE SECTION R403.1.6, MINIMUM 1/2" DIA. BOLTS SPACED AT 6'-0" ON CENTER WITH A 1" MINIMUM EMBEDMENT INTO MASONRY OR CONCRETE. ANCHOR BOLTS SHALL BE 12" FROM THE END OF EACH PLATE SECTION. MINIMUM (2) ANCHOR BOLTS PER PLATE SECTION. ANCHOR BOLTS SHALL BE LOCATED IN THE CENTER THIRD OF THE PLATE.
- ABBREVIATIONS:  
 DJ = DOUBLE JOIST      SJ = SINGLE JOIST  
 GT = GIRDER TRUSS      FT = FLOOR TRUSS  
 SC = STUD COLUMN      DR = DOUBLE RAFTER  
 EE = EACH END          TR = TRIPLE RAFTER  
 TJ = TRIPLE JOIST      OC = ON CENTER  
 CL = CENTER LINE      PL = POINT LOAD
- ALL PIERS TO BE 16"x16" MASONRY AND ALL PILASTERS TO BE 8"x16" MASONRY, TYPICAL. (UNO)
- WALL FOOTINGS TO BE CONTINUOUS CONCRETE, SIZES PER STRUCTURAL PLAN.
- A FOUNDATION EXCAVATION OBSERVATION SHOULD BE CONDUCTED BY A PROFESSIONAL GEOTECHNICAL ENGINEER OR HIS QUALIFIED REPRESENTATIVE. IF ISOLATED AREAS OF YIELDING MATERIALS AND/OR POTENTIALLY EXPANSIVE SOILS ARE OBSERVED IN THE FOOTING EXCAVATIONS AT THE TIME OF CONSTRUCTION, SUMMIT ENGINEERING, LABORATORY & TESTING, INC. MUST BE PROVIDED THE OPPORTUNITY TO REVIEW THE FOOTING DESIGN PRIOR TO CONCRETE PLACEMENT.
- ALL FOOTINGS & SLABS ARE TO BEAR ON UNDISTURBED SOIL OR 95% COMPACTED FILL, VERIFIED BY ENGINEER OR CODE OFFICIAL.

REFER TO BRACED WALL PLAN FOR PANEL LOCATIONS AND ANY REQUIRED HOLD-DOWNS. ADDITIONAL INFORMATION PER SECTION R602.10.3 AND FIGURE R602.10.1 OF THE 2015 IRC.

NOTE: ALL EXTERIOR FOUNDATION DIMENSIONS ARE TO FRAMING AND NOT BRICK VENEER, UNO

NOTE: A 4" CRUSHED STONE BASE COURSE IS NOT REQUIRED WHEN SLAB IS INSTALLED ON WELL-DRAINED OR SAND-GRAVEL MIXTURE SOILS CLASSIFIED AS GROUP 1 PER TABLE R405.1

ANCHOR SPACING SHALL BE REDUCED TO 4'-0" ON CENTER IN LOCATIONS WHERE THE DESIGN WIND SPEED IS 130 MPH.

ROOF TRUSS AND FLOOR JOIST LAYOUTS, AND THEIR CORRESPONDING LOADING DETAILS, WERE NOT PROVIDED TO SUMMIT ENGINEERING, LABORATORY & TESTING, INC. (SUMMIT) PRIOR TO THE INITIAL DESIGN. THEREFORE TRUSS AND JOIST DIRECTIONS WERE ASSUMED BASED ON THE INFORMATION PROVIDED BY LGI HOMES. SUBSEQUENT PLAN REVISIONS BASED ON ROOF TRUSS AND FLOOR JOIST LAYOUTS SHALL BE NOTED IN THE REVISION LIST, INDICATING THE DATE THE LAYOUTS WERE PROVIDED. SHOULD ANY DISCREPANCIES BECOME APPARENT, THE CONTRACTOR SHALL NOTIFY SUMMIT IMMEDIATELY.

THESE PLANS ARE DESIGNED IN ACCORDANCE WITH ARCHITECTURAL PLANS PROVIDED BY LGI HOMES COMPLETED/REVISED ON 10/25/2021. IT IS THE RESPONSIBILITY OF THE CLIENT TO NOTIFY SUMMIT ENGINEERING, LABORATORY & TESTING, INC. IF ANY CHANGES ARE MADE TO THE ARCHITECTURAL PLANS PRIOR TO CONSTRUCTION. SUMMIT CANNOT GUARANTEE THE ADEQUACY OF THESE STRUCTURAL PLANS WHEN USED WITH ARCHITECTURAL PLANS DATED DIFFERENTLY THAN THE DATE LISTED ABOVE.

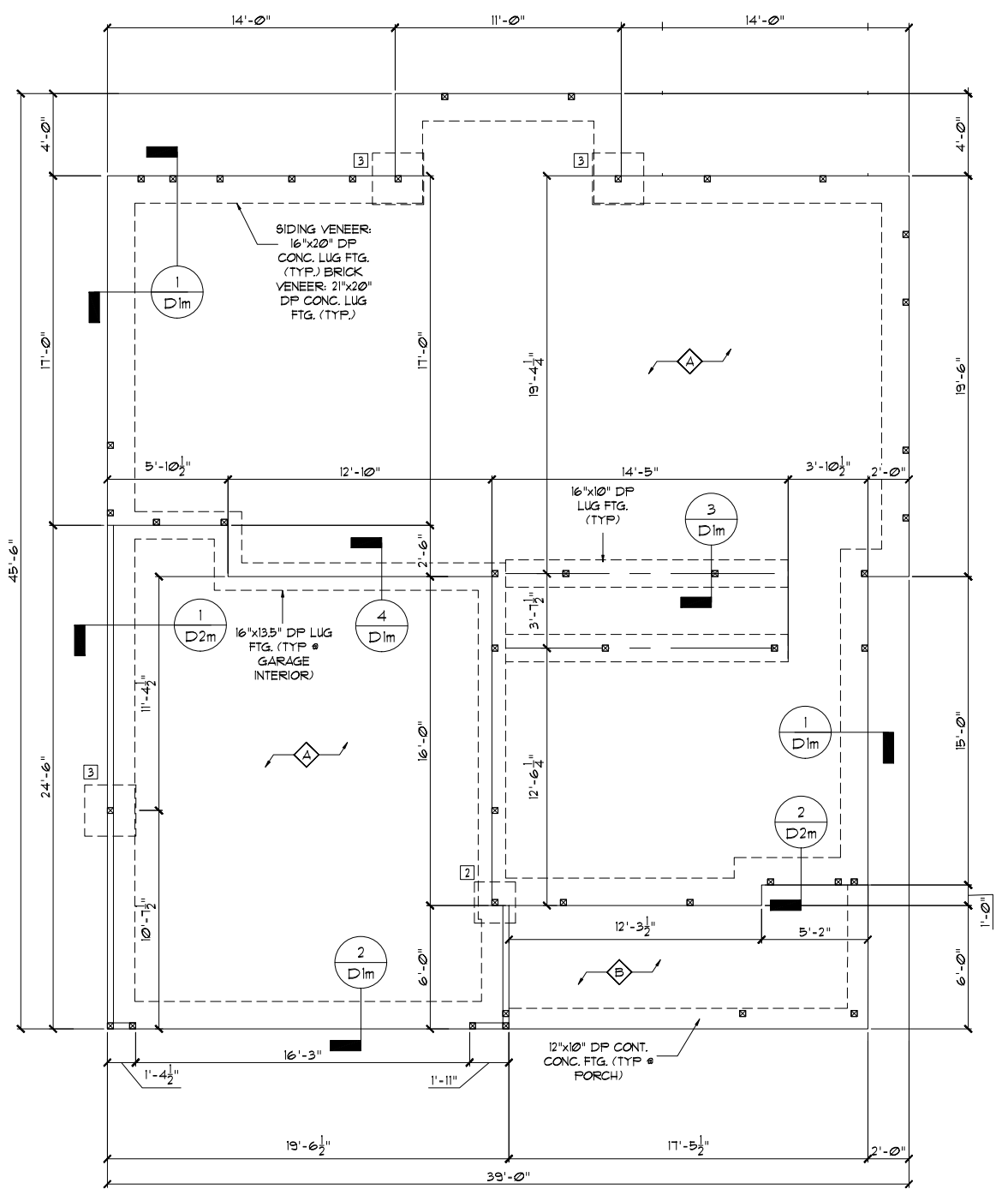
**STRUCTURAL MEMBERS ONLY**

ENGINEERING SEAL APPLIES ONLY TO STRUCTURAL COMPONENTS ON THIS DOCUMENT. SEAL DOES NOT INCLUDE CONSTRUCTION MEANS, METHODS, TECHNIQUES, SEQUENCES, PROCEDURES OR SAFETY PRECAUTIONS. ANY DEVIATIONS OR DISCREPANCIES ON PLANS ARE TO BE BROUGHT TO THE IMMEDIATE ATTENTION OF SUMMIT ENGINEERING, LABORATORY & TESTING, INC. FAILURE TO DO SO WILL VOID SUMMIT LIABILITY.

STRUCTURAL ANALYSIS BASED ON 2018 NCRC.

**MONOLITHIC SLAB FOUNDATION**

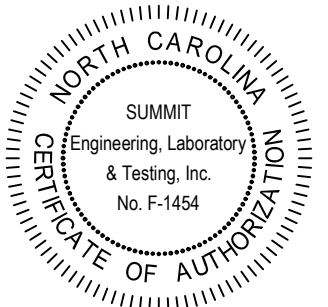
SCALE: 1/8"=1'



FOUNDATION SCHEDULE		
TAG	DESCRIPTION	REBAR REQ'D
1	16" SQ x 10" D	NONE
2	24" SQ x 10" D	NONE
3	30" SQ x 10" D	NONE
4	36" SQ x 12" D	NONE
5	42" SQ x 12" D	(4) #4 ELL
6	48" SQ x 12" D	(6) #4 ELL
◇	4" THICK POURED CONCRETE SLAB w/ FIBER MESH ON 6 MIL POLY ON COMPACTED SOIL	
◇	4" THICK POURED CONCRETE SLAB ON COMPACTED SOIL	

ABBREVIATIONS: W = WIDTH, D = DEPTH, SQ = SQUARE, B.D. = BOTH DIRECTIONS, CONT. = CONTINUOUS, MONO = MONOLITHIC SLAB FOOTING

**SUMMIT**  
ENGINEERING LABORATORY TESTING  
3070 HAMMOND BUSINESS PLACE, SUITE 171  
RALEIGH, NC 27603  
OFFICE: 919.380.9991  
FAX: 919.380.9993  
WWW.SUMMIT-COMPANIES.COM



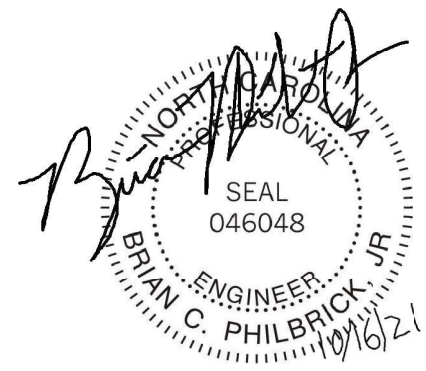
PROJECT  
**CRAVEN OFFICE/HOME STUDY**  
**Monolithic Slab Fnd.**  
CLIENT  
**LGI Homes**  
**7201 Creedmoor Road, Suite 147**  
**Raleigh, NC 27613**

CURRENT DRAWING  
DATE: 10/14/2021  
SCALE: 1/8"=1'-0"  
PROJECT #: 1203-08R: 25255R  
DRAWN BY: BAF  
CHECKED BY: CTB

ORIGINAL DRAWING  
DATE: 10/24/19 PROJECT #: 25255

REFER TO COVER SHEET FOR A COMPLETE LIST OF REVISIONS

SHEET  
**S1.0m**



STRUCTURAL MEMBERS ONLY

**GENERAL STRUCTURAL NOTES:**

- CONSTRUCTION SHALL CONFORM TO 2018 NORTH CAROLINA RESIDENTIAL BUILDING CODE WITH ALL LOCAL AMENDMENTS.
- CONTRACTOR SHALL VERIFY ALL DIMENSIONS. CONTRACTOR SHALL COMPLY WITH THE CONTENTS OF THE DRAWING FOR THIS SPECIFIC PROJECT. ENGINEER IS NOT RESPONSIBLE FOR ANY DEVIATIONS FROM THIS PLAN.
- CONTRACTOR IS RESPONSIBLE FOR PROVIDING TEMPORARY BRACING REQUIRED TO RESIST ALL FORCES ENCOUNTERED DURING ERECTION.
- PROPERTIES USED IN THE DESIGN ARE AS FOLLOWS:  
MICROLAM (LVL):  $F_b = 2600$  PSI,  $F_v = 285$  PSI,  $E = 13 \times 10^6$  PSI  
PARALLAM (PSL):  $F_b = 2900$  PSI,  $F_v = 290$  PSI,  $E = 125 \times 10^6$  PSI
- ALL WOOD MEMBERS SHALL BE #2 SYP UNLESS NOTED ON PLAN. ALL STUD COLUMNS AND JOISTS SHALL BE #2 SYP (UNO).
- ALL BEAMS SHALL BE SUPPORTED WITH A (2) 2x4 #2 SYP STUD COLUMN AT EACH END UNLESS NOTED OTHERWISE.
- ALL REINFORCING STEEL SHALL BE GRADE 60 BARS CONFORMING TO ASTM A615 AND SHALL HAVE A MINIMUM COVER OF 3".
- FOUNDATION ANCHORAGE SHALL BE CONSTRUCTED PER THE 2018 NORTH CAROLINA RESIDENTIAL CODE SECTION R403.1.6, MINIMUM 1/2" DIA. BOLTS SPACED AT 6'-0" ON CENTER WITH A 1" MINIMUM EMBEDMENT INTO MASONRY OR CONCRETE. ANCHOR BOLTS SHALL BE 12" FROM THE END OF EACH PLATE SECTION. MINIMUM (2) ANCHOR BOLTS PER PLATE SECTION. ANCHOR BOLTS SHALL BE LOCATED IN THE CENTER THIRD OF THE PLATE. ANCHOR SPACING SHALL BE REDUCED TO 4'-0" ON CENTER IN LOCATIONS WHERE THE DESIGN WIND SPEED IS 130 MPH.
- CONTRACTOR TO PROVIDED LOOKOUTS WHEN CEILING JOISTS SPAN PERPENDICULAR TO RAFTERS.
- FLITCH BEAMS, 4-PLY LVL'S AND 3-PLY SIDE LOADED LVL'S SHALL BE BOLTED TOGETHER WITH 1/2" DIA. THRU BOLTS SPACED AT 24" O.C. (MAX) STAGGERED OR EQUIVALENT CONNECTIONS PER DETAIL 1/DT1. MIN. EDGE DISTANCE SHALL BE 2" AND (2) BOLTS SHALL BE LOCATED MINIMUM 6" FROM EACH END OF THE BEAM.
- ALL NON-LOAD BEARING HEADERS SHALL BE (1) FLAT 2x4 SYP #2, DROPPED, FOR NON-LOAD BEARING HEADERS EXCEEDING 8'-0" IN WIDTH AND/OR WITH MORE THAN 2'-0" OF CRIPPLE WALL ABOVE, SHALL BE (2) FLAT 2x4 SYP #2, DROPPED. (UNLESS NOTED OTHERWISE).
- ABBREVIATIONS:

DJ = DOUBLE JOIST      SJ = SINGLE JOIST  
GT = GIRDER TRUSS      FT = FLOOR TRUSS  
SC = STUD COLUMN      DR = DOUBLE RAFTER  
EE = EACH END          TR = TRIPLE RAFTER  
TJ = TRIPLE JOIST      OC = ON CENTER  
CL = CENTER LINE      FL = POINT LOAD

NOTE:  
--- DESIGNATES JOIST SUPPORTED LOAD BEARING WALL ABOVE. PROVIDE BLOCKING UNDER JOIST SUPPORTED LOAD BEARING WALL.

NOTE: SHADED WALLS INDICATE LOAD BEARING WALLS

JOIST & BEAM SIZES SHOWN ARE MINIMUMS. BUILDER MAY INCREASE DEPTH FOR EASE OF CONSTRUCTION.

NOTE: REDUCE JOIST SPACING UNDER TILE FLOORS, GRANITE COUNTERTOPS AND/OR ISLANDS.

ROOF TRUSS AND FLOOR JOIST LAYOUTS, AND THEIR CORRESPONDING LOADING DETAILS, WERE NOT PROVIDED TO SUMMIT ENGINEERING, LABORATORY & TESTING, INC. (SUMMIT) PRIOR TO THE INITIAL DESIGN. THEREFORE, TRUSS AND JOIST DIRECTIONS WERE ASSUMED BASED ON THE INFORMATION PROVIDED BY LGI HOMES. SUBSEQUENT PLAN REVISIONS BASED ON ROOF TRUSS AND FLOOR JOIST LAYOUTS SHALL BE NOTED IN THE REVISION LIST, INDICATING THE DATE THE LAYOUTS WERE PROVIDED. SHOULD ANY DISCREPANCIES BECOME APPARENT, THE CONTRACTOR SHALL NOTIFY SUMMIT IMMEDIATELY.

THESE PLANS ARE DESIGNED IN ACCORDANCE WITH ARCHITECTURAL PLANS PROVIDED BY LGI HOMES COMPLETED/REVISED ON 10/25/2021. IT IS THE RESPONSIBILITY OF THE CLIENT TO NOTIFY SUMMIT ENGINEERING, LABORATORY & TESTING, INC. IF ANY CHANGES ARE MADE TO THE ARCHITECTURAL PLANS PRIOR TO CONSTRUCTION. SUMMIT CANNOT GUARANTEE THE ADEQUACY OF THESE STRUCTURAL PLANS WHEN USED WITH ARCHITECTURAL PLANS DATED DIFFERENTLY THAN THE DATE LISTED ABOVE.

**STRUCTURAL MEMBERS ONLY**

ENGINEERING SEAL APPLIES ONLY TO STRUCTURAL COMPONENTS ON THIS DOCUMENT. SEAL DOES NOT INCLUDE CONSTRUCTION MEANS, METHODS, TECHNIQUES, SEQUENCES, PROCEDURES OR SAFETY PRECAUTIONS. ANY DEVIATIONS OR DISCREPANCIES ON PLANS ARE TO BE BROUGHT TO THE IMMEDIATE ATTENTION OF SUMMIT ENGINEERING, LABORATORY & TESTING, INC. FAILURE TO DO SO WILL VOID SUMMIT LIABILITY.

STRUCTURAL ANALYSIS BASED ON 2018 NCRC.

**FIRST FLOOR FRAMING PLAN**

SCALE: 1/8"=1'

NOTE: 1ST FLY OF ALL SHOWN GIRDER TRUSSES TO ALIGN WITH INSIDE FACE OF WALL (TYP, UNO)

NOTE: ROOF TRUSSES SHALL BE SPACED TO SUPPORT FALSE FRAMED DORMER WALLS (TYP, UNO)

**ROOF TRUSS UPLIFT CONNECTOR SCHEDULE**

MAX. UPLIFT	ROOF TO WALL	FLOOR TO FLOOR	FLOOR TO END
600 LBS	H2.5A	PER WALL SHEATHING & FASTENERS	
1200 LBS	(2) H2.5A	C916 (END = 11")	DTT2Z
1450 LBS	HT520	C916 (END = 11")	DTT2Z
2000 LBS	(2) HT520	(2) C916 (END = 11")	DTT2Z
2900 LBS	(2) HT520	(2) C916 (END = 11")	HTT4
3685 LBS	LGT3-SD92.5	MSTC52	HTT4

- ALL PRODUCTS LISTED ARE SIMPSON STRONG-TIE. EQUIVALENT PRODUCTS MAY BE USED PER MANUFACTURER'S SPECIFICATIONS.
- UPLIFT VALUES LISTED ARE FOR SYP #2 GRADE MEMBERS.
- REFER TO TRUSS LAYOUT PER MANUF. FOR UPLIFT VALUES AND TRUSS TO TRUSS CONNECTIONS. CONNECTORS SPECIFIED BY TRUSS MANUFACTURER OVERRIDE THOSE LISTED ABOVE.
- CONTACT SUMMIT FOR REQUIRED CONNECTORS WHEN LOADS EXCEED THOSE LISTED ABOVE.

**HEADER SCHEDULE**

TAG	SIZE	JACKS (EACH END)
A	(2) 2x6	(1)
B	(2) 2x8	(2)
C	(2) 2x10	(2)
D	(2) 2x12	(2)
E	(2) 9-1/4" LSL/LVL	(3)
F	(2) 11-7/8" LSL/LVL	(3)
G	(3) 2x8	(2)
H	(3) 2x10	(2)
I	(3) 2x12	(2)

- NOTES:  
1. HEADER SIZES SHOWN ON PLANS ARE MINIMUMS. GREATER HEADER SIZES MAY BE USED FOR EASE OF CONSTRUCTION.  
2. ALL HEADERS TO BE DROPPED (UNO).  
3. STUD COLUMNS NOTED ON PLAN OVERRIDE STUD COLUMNS LISTED ABOVE (UNO).

**BEAM SCHEDULE**

TAG	SIZE
B1	(1) 11-7/8" FLOOR JOIST OR TRUSS
B2	(2) 11-7/8" FLOOR JOISTS OR TRUSS
B3	(1) 14" FLOOR JOIST OR TRUSS
B4	(2) 14" FLOOR JOISTS OR TRUSS
B5	(1) 9-1/4" LVL
B6	(2) 9-1/4" LVL
B7	(1) 11-7/8" LVL
B8	(2) 11-7/8" LVL
B9	(1) 14" LVL
B10	(2) 14" LVL
B11	(2) 2x10

- BEAM SIZES SHOWN ARE MINIMUM SIZES, LARGER SIZES MAY BE SUBSTITUTED FOR EASE OF CONSTRUCTION.
- BEAMS ARE TO BE FLUSH WITH TOP OF FLOOR UNLESS NOTED OTHERWISE.

**WALL STUD SCHEDULE (10 FT HEIGHT)**

STUD SIZE	STUD SPACING (O.C.)			
	ROOF ONLY	ROOF & 1 FLOOR	ROOF & 2 FLOORS	NON-LOAD BEARING
2x4	24"	16"	12"	24"
2x6	24"	24"	16"	24"

- NOTES:  
1. BRACED WALLS STUDS SHALL BE A MAX. OF 16" O.C.  
2. STUDS SUPPORTS OPTIONAL WALK-UP ATTIC SHALL BE SPACED A MAX. OF 16" O.C.  
3. TWO STORY WALLS SHALL BE FRAMED w/ 2x4 STUDS @ 12" O.C. OR 2x6 STUDS @ 16" O.C. BALLOON FRAMED w/ CROSS BRACING @ 6'-0" O.C. VERTICALLY.

**KING STUD REQUIREMENTS**

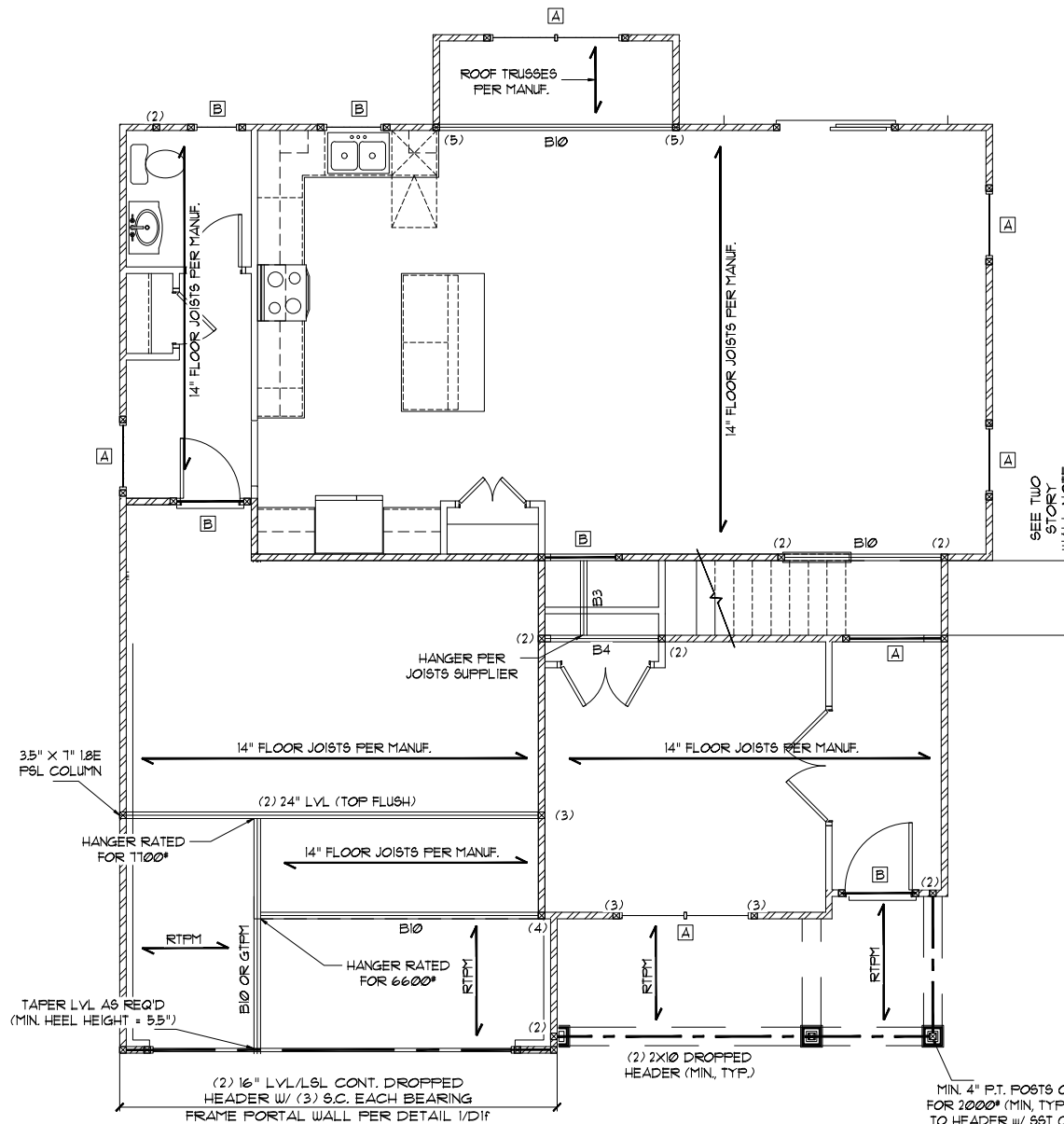
OPENING WIDTH (FT)	KINGS (EACH END)	
	16" O.C.	24" O.C.
LESS THAN 3'-0"	(1)	(1)
3'-0" TO 4'-0"	(2)	(1)
4'-0" TO 8'-0"	(3)	(2)
8'-0" TO 12'-0"	(5)	(3)
12'-0" TO 16'-0"	(6)	(4)

KING STUD REQUIREMENTS ABOVE DO NOT APPLY TO PORTAL FRAMED OPENINGS

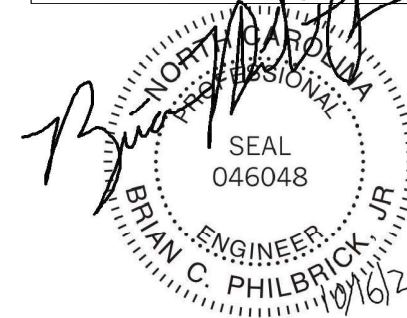
**LINTEL SCHEDULE**

TAG	SIZE	OPENING SIZE
①	L3x3x1/4"	LESS THAN 6'-0"
②	L5x3x1/4"	6'-0" TO 10'-0"
③	L5x3-1/2"x5/16"	GREATER THAN 10'-0"
④	L5x3-1/2"x5/16"	ALL ARCHED OPENINGS

SECURE LINTEL TO HEADER w/ (2) 1/2" DIAMETER LAG SCREWS STAGGERED @ 16" O.C. (TYP. OR ③)  
ALL HEADERS WITH BRICK ABOVE (1) (UNO)

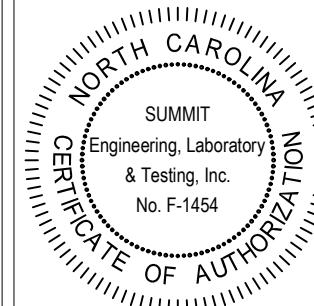


MIN. 4" PT. POSTS OR COL. RATED FOR 2000# (MIN. TYP) ATTACH POSTS TO HEADER w/ 6ST C916 STRIPS OR (4) 16d NAILS AND ATTACH POSTS TO FOUNDATION w/ 6ST AB444 POST BASE OR EQUIV. (TYP)



STRUCTURAL MEMBERS ONLY

**SUMMIT**  
ENGINEERING LABORATORY TESTING  
3070 HAMMOND BUSINESS PLACE, SUITE 171  
RALEIGH, NC 27603  
OFFICE: 919.380.9991  
FAX: 919.380.9993  
WWW.SUMMIT-COMPANIES.COM



PROJECT  
**CRAVEN OFFICE/HOME STUDY**  
First Floor Framing  
CLIENT  
**LGI Homes**  
7201 Creedmoor Road, Suite 147  
Raleigh, NC 27613

**CURRENT DRAWING**  
DATE: 10/14/2021  
SCALE: 1/8"=1'-0"  
PROJECT #: 1203-08R: 25255R  
DRAWN BY: BAF  
CHECKED BY: CTB

**ORIGINAL DRAWING**  
DATE: 10/24/19 PROJECT #: 25255

REFER TO COVER SHEET FOR A COMPLETE LIST OF REVISIONS

SHEET  
**S3.0**

**GENERAL STRUCTURAL NOTES:**

- CONSTRUCTION SHALL CONFORM TO 2018 NORTH CAROLINA RESIDENTIAL BUILDING CODE WITH ALL LOCAL AMENDMENTS.
- CONTRACTOR SHALL VERIFY ALL DIMENSIONS. CONTRACTOR SHALL COMPLY WITH THE CONTENTS OF THE DRAWING FOR THIS SPECIFIC PROJECT. ENGINEER IS NOT RESPONSIBLE FOR ANY DEVIATIONS FROM THIS PLAN.
- CONTRACTOR IS RESPONSIBLE FOR PROVIDING TEMPORARY BRACING REQUIRED TO RESIST ALL FORCES ENCOUNTERED DURING ERECTION.
- PROPERTIES USED IN THE DESIGN ARE AS FOLLOWS:  
MICROLLAM (LVL):  $F_b = 2600$  PSI,  $F_v = 285$  PSI,  $E = 13 \times 10^6$  PSI  
PARALLAM (PSL):  $F_b = 2900$  PSI,  $F_v = 290$  PSI,  $E = 125 \times 10^6$  PSI
- ALL WOOD MEMBERS SHALL BE #2 SYP UNLESS NOTED ON PLAN. ALL STUD COLUMNS AND JOISTS SHALL BE #2 SYP (UNO).
- ALL BEAMS SHALL BE SUPPORTED WITH A (2) 2x4 #2 SYP STUD COLUMN AT EACH END UNLESS NOTED OTHERWISE.
- ALL REINFORCING STEEL SHALL BE GRADE 60 BARS CONFORMING TO ASTM A615 AND SHALL HAVE A MINIMUM COVER OF 3".
- FOUNDATION ANCHORAGE SHALL BE CONSTRUCTED PER THE 2018 NORTH CAROLINA RESIDENTIAL CODE SECTION R403.1.6, MINIMUM 1/2" DIA. BOLTS SPACED AT 6'-0" ON CENTER WITH A 1" MINIMUM EMBEDMENT INTO MASONRY OR CONCRETE. ANCHOR BOLTS SHALL BE 12" FROM THE END OF EACH PLATE SECTION. MINIMUM (2) ANCHOR BOLTS PER PLATE SECTION. ANCHOR BOLTS SHALL BE LOCATED IN THE CENTER THIRD OF THE PLATE. ANCHOR SPACING SHALL BE REDUCED TO 4'-0" ON CENTER IN LOCATIONS WHERE THE DESIGN WIND SPEED IS 130 MPH.
- CONTRACTOR TO PROVIDED LOOKOUTS WHEN CEILING JOISTS SPAN PERPENDICULAR TO RAFTERS.
- FLITCH BEAMS, 4-PLY LVL'S AND 3-PLY SIDE LOADED LVL'S SHALL BE BOLTED TOGETHER WITH 1/2" DIA. THRU BOLTS SPACED AT 24" O.C. (MAX) STAGGERED OR EQUIVALENT CONNECTIONS PER DETAIL 1/DT. MIN. EDGE DISTANCE SHALL BE 2" AND (2) BOLTS SHALL BE LOCATED MINIMUM 6" FROM EACH END OF THE BEAM.
- ALL NON-LOAD BEARING HEADERS SHALL BE (1) FLAT 2x4 SYP #2, DROPPED. FOR NON-LOAD BEARING HEADERS EXCEEDING 8'-0" IN WIDTH AND/OR WITH MORE THAN 2'-0" OF CRIPPLE WALL ABOVE, SHALL BE (2) FLAT 2x4 SYP #2, DROPPED. (UNLESS NOTED OTHERWISE)
- ABBREVIATIONS:

DJ = DOUBLE JOIST      SJ = SINGLE JOIST  
GT = GIRDER TRUSS      FT = FLOOR TRUSS  
SC = STUD COLUMN      DR = DOUBLE RAFTER  
EE = EACH END          TR = TRIPLE RAFTER  
TJ = TRIPLE JOIST      OC = ON CENTER  
CL = CENTER LINE      PL = POINT LOAD

NOTE:  
--- DESIGNATES JOIST SUPPORTED LOAD BEARING WALL. ABOVE, PROVIDE BLOCKING UNDER JOIST SUPPORTED LOAD BEARING WALL.

NOTE: SHADED WALLS INDICATE LOAD BEARING WALLS

JOIST & BEAM SIZES SHOWN ARE MINIMUMS. BUILDER MAY INCREASE DEPTH FOR EASE OF CONSTRUCTION.

NOTE: REDUCE JOIST SPACING UNDER TILE FLOORS, GRANITE COUNTERTOPS AND/OR ISLANDS.

ROOF TRUSS AND FLOOR JOIST LAYOUTS, AND THEIR CORRESPONDING LOADING DETAILS, WERE NOT PROVIDED TO SUMMIT ENGINEERING, LABORATORY & TESTING, INC. (SUMMIT) PRIOR TO THE INITIAL DESIGN. THEREFORE, TRUSS AND JOIST DIRECTIONS WERE ASSUMED BASED ON THE INFORMATION PROVIDED BY LGI HOMES. SUBSEQUENT PLAN REVISIONS BASED ON ROOF TRUSS AND FLOOR JOIST LAYOUTS SHALL BE NOTED IN THE REVISION LIST, INDICATING THE DATE THE LAYOUTS WERE PROVIDED. SHOULD ANY DISCREPANCIES BECOME APPARENT, THE CONTRACTOR SHALL NOTIFY SUMMIT IMMEDIATELY.

THESE PLANS ARE DESIGNED IN ACCORDANCE WITH ARCHITECTURAL PLANS PROVIDED BY LGI HOMES COMPLETED/REVISED ON 10/25/2021. IT IS THE RESPONSIBILITY OF THE CLIENT TO NOTIFY SUMMIT ENGINEERING, LABORATORY & TESTING, INC. IF ANY CHANGES ARE MADE TO THE ARCHITECTURAL PLANS PRIOR TO CONSTRUCTION. SUMMIT CANNOT GUARANTEE THE ADEQUACY OF THESE STRUCTURAL PLANS WHEN USED WITH ARCHITECTURAL PLANS DATED DIFFERENTLY THAN THE DATE LISTED ABOVE.

**STRUCTURAL MEMBERS ONLY**

ENGINEERING SEAL APPLIES ONLY TO STRUCTURAL COMPONENTS ON THIS DOCUMENT. SEAL DOES NOT INCLUDE CONSTRUCTION MEANS, METHODS, TECHNIQUES, SEQUENCES, PROCEDURES OR SAFETY PRECAUTIONS. ANY DEVIATIONS OR DISCREPANCIES ON PLANS ARE TO BE BROUGHT TO THE IMMEDIATE ATTENTION OF SUMMIT ENGINEERING, LABORATORY & TESTING, INC. FAILURE TO DO SO WILL VOID SUMMIT LIABILITY.

STRUCTURAL ANALYSIS BASED ON 2018 NCRC.

**SECOND FLOOR FRAMING PLAN**

SCALE: 1/8"=1'

NOTE: 1ST FLY OF ALL SHOWN GIRDER TRUSSES TO ALIGN WITH INSIDE FACE OF WALL (TYP, UNO)

NOTE: ROOF TRUSSES SHALL BE SPACED TO SUPPORT FALSE FRAMED DORMER WALLS (TYP, UNO)

**ROOF TRUSS UPLIFT CONNECTOR SCHEDULE**

MAX. UPLIFT	ROOF TO WALL	FLOOR TO FLOOR	FLOOR TO END
600 LBS	H2.5A	PER WALL SHEATHING & FASTENERS	
1200 LBS	(2) H2.5A	C916 (END = 11")	DTT2Z
1450 LBS	HT520	C916 (END = 11")	DTT2Z
2000 LBS	(2) HT520	(2) C916 (END = 11")	DTT2Z
2900 LBS	(2) HT520	(2) C916 (END = 11")	HTT4
3685 LBS	LGT3-SD92.5	MSTC52	HTT4

- ALL PRODUCTS LISTED ARE SIMPSON STRONG-TIE. EQUIVALENT PRODUCTS MAY BE USED PER MANUFACTURER'S SPECIFICATIONS.
- UPLIFT VALUES LISTED ARE FOR SYP #2 GRADE MEMBERS.
- REFER TO TRUSS LAYOUT PER MANUF. FOR UPLIFT VALUES AND TRUSS TO TRUSS CONNECTIONS. CONNECTORS SPECIFIED BY TRUSS MANUFACTURER OVERRIDE THOSE LISTED ABOVE.
- CONTACT SUMMIT FOR REQUIRED CONNECTORS WHEN LOADS EXCEED THOSE LISTED ABOVE.

**HEADER SCHEDULE**

TAG	SIZE	JACKS (EACH END)
A	(2) 2x6	(1)
B	(2) 2x8	(2)
C	(2) 2x10	(2)
D	(2) 2x12	(2)
E	(2) 9-1/4" LSL/LVL	(3)
F	(2) 11-7/8" LSL/LVL	(3)
G	(3) 2x8	(2)
H	(3) 2x10	(2)
I	(3) 2x12	(2)

- NOTES:  
1. HEADER SIZES SHOWN ON PLANS ARE MINIMUMS. GREATER HEADER SIZES MAY BE USED FOR EASE OF CONSTRUCTION.  
2. ALL HEADERS TO BE DROPPED (UNO).  
3. STUD COLUMNS NOTED ON PLAN OVERRIDE STUD COLUMNS LISTED ABOVE (UNO).

**BEAM SCHEDULE**

TAG	SIZE
B1	(1) 11-7/8" FLOOR JOIST OR TRUSS
B2	(2) 11-7/8" FLOOR JOISTS OR TRUSS
B3	(1) 14" FLOOR JOIST OR TRUSS
B4	(2) 14" FLOOR JOISTS OR TRUSS
B5	(1) 9-1/4" LVL
B6	(2) 9-1/4" LVL
B7	(1) 11-7/8" LVL
B8	(2) 11-7/8" LVL
B9	(1) 14" LVL
B10	(2) 14" LVL
B11	(2) 2x10

- BEAM SIZES SHOWN ARE MINIMUM SIZES, LARGER SIZES MAY BE SUBSTITUTED FOR EASE OF CONSTRUCTION.
- BEAMS ARE TO BE FLUSH WITH TOP OF FLOOR UNLESS NOTED OTHERWISE.

**WALL STUD SCHEDULE (10 FT HEIGHT)**

STUD SIZE	STUD SPACING (O.C.)			
	ROOF ONLY	ROOF & 1 FLOOR	ROOF & 2 FLOORS	NON-LOAD BEARING
2x4	24"	16"	12"	24"
2x6	24"	24"	16"	24"

- NOTES:  
1. BRACED WALLS STUDS SHALL BE A MAX. OF 16" O.C.  
2. STUDS SUPPORTS OPTIONAL WALK-UP ATTIC SHALL BE SPACED A MAX. OF 16" O.C.  
3. TWO STORY WALLS SHALL BE FRAMED w/ 2x4 STUDS @ 12" O.C. OR 2x6 STUDS @ 16" O.C. BALLOON FRAMED w/ CROSS BRACING @ 6'-0" O.C. VERTICALLY.

**KING STUD REQUIREMENTS**

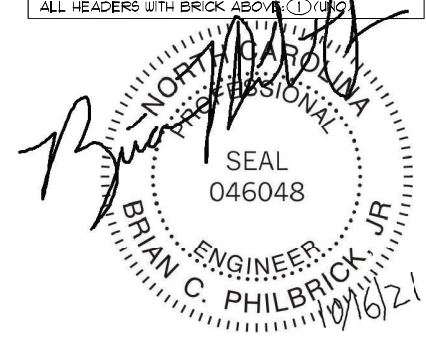
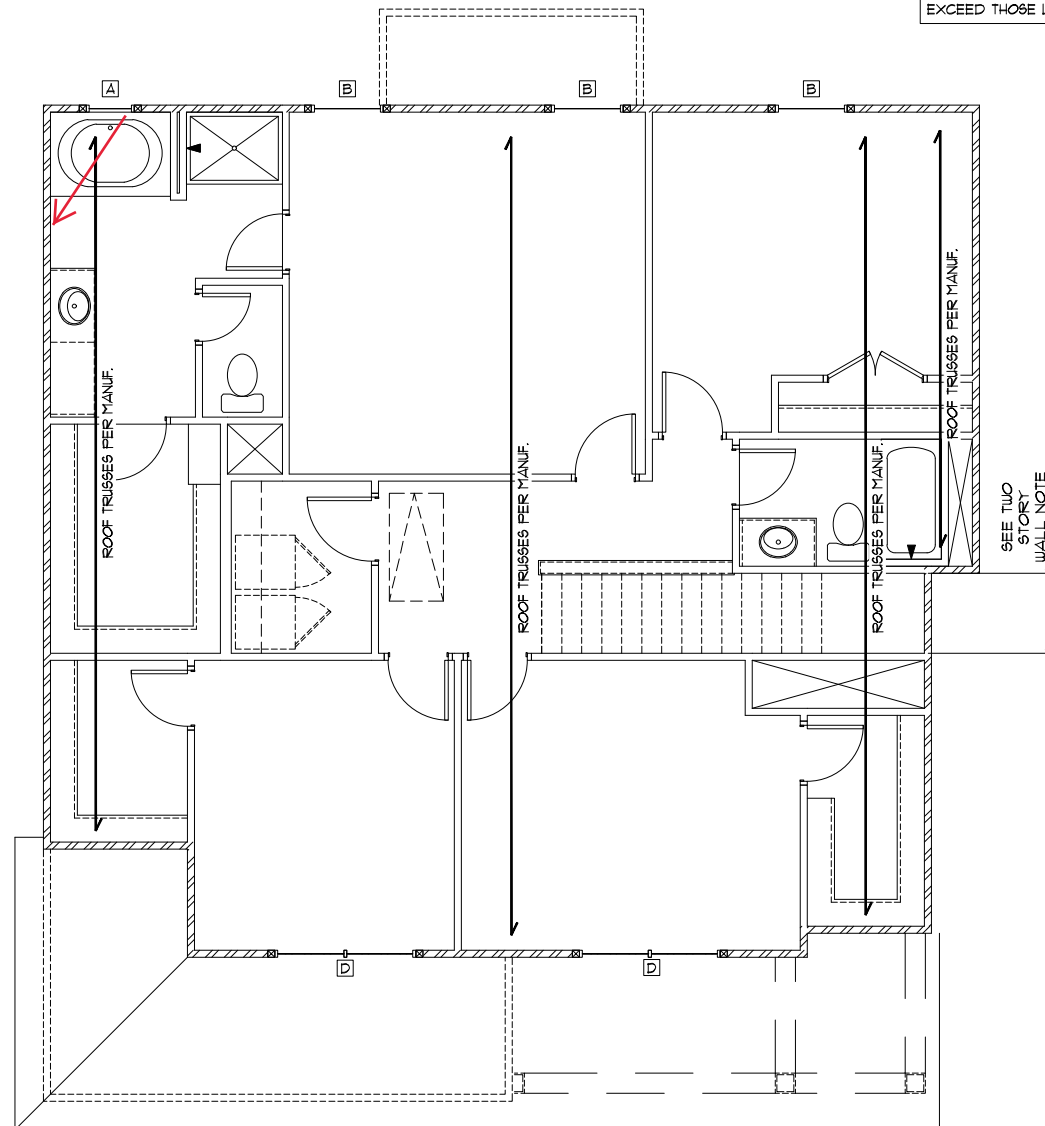
OPENING WIDTH (FT)	KINGS (EACH END)	
	16" O.C.	24" O.C.
LESS THAN 3'-0"	(1)	(1)
3'-0" TO 4'-0"	(2)	(1)
4'-0" TO 8'-0"	(3)	(2)
8'-0" TO 12'-0"	(5)	(3)
12'-0" TO 16'-0"	(6)	(4)

KING STUD REQUIREMENTS ABOVE DO NOT APPLY TO PORTAL FRAMED OPENINGS

**LINTEL SCHEDULE**

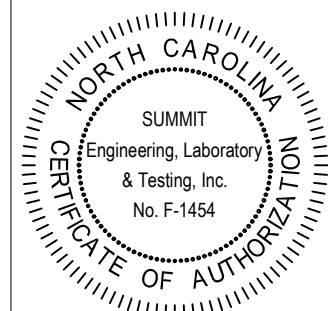
TAG	SIZE	OPENING SIZE
①	L3x3x1/4"	LESS THAN 6'-0"
②	L5x3x1/4"	6'-0" TO 10'-0"
③	L5x3-1/2"x5/16"	GREATER THAN 10'-0"
④	L5x3-1/2"x5/16" ROLLED OR EQUIV.	ALL ARCHED OPENINGS

SECURE LINTEL TO HEADER w/ (2) 1/2" DIAMETER LAG SCREWS STAGGERED @ 16" O.C. (TYP OR ③)  
ALL HEADERS WITH BRICK ABOVE ① (UNO)



STRUCTURAL MEMBERS ONLY

**SUMMIT**  
ENGINEERING LABORATORY TESTING  
3070 HAMMOND BUSINESS PLACE, SUITE 171  
RALEIGH, NC 27603  
OFFICE: 919.380.9991  
FAX: 919.380.9993  
WWW.SUMMIT-COMPANIES.COM



PROJECT  
**CRAVEN OFFICE/HOME STUDY**  
**Second Floor Framing**  
CLIENT  
**LGI Homes**  
**7201 Creedmoor Road, Suite 147**  
**Raleigh, NC 27613**

**CURRENT DRAWING**  
DATE: 10/14/2021  
SCALE: 1/8"=1'-0"  
PROJECT #: 1203-08R: 25255R  
DRAWN BY: BAF  
CHECKED BY: CTB

**ORIGINAL DRAWING**  
DATE PROJECT #  
10/24/19 25255

REFER TO COVER SHEET FOR A COMPLETE LIST OF REVISIONS

SHEET  
**S4.0**

REQUIRED BRACED WALL PANEL CONNECTIONS				
METHOD	MATERIAL	MIN. THICKNESS	REQUIRED CONNECTION	
			# PANEL EDGES	# INTERMEDIATE SUPPORTS
CS-WSP	WOOD STRUCTURAL PANEL	3/8"	6d COMMON NAIL <sup>s</sup> @ 6" O.C.	6d COMMON NAIL <sup>s</sup> @ 12" O.C.
GB	GYPSUM BOARD	1/2"	5d COOLER NAIL <sup>s</sup> @ 1" O.C.	5d COOLER NAIL <sup>s</sup> @ 1" O.C.
WSP	WOOD STRUCTURAL PANEL	3/8"	6d COMMON NAIL <sup>s</sup> @ 6" O.C.	6d COMMON NAIL <sup>s</sup> @ 12" O.C.
FF	WOOD STRUCTURAL PANEL	1/16"	PER FIGURE R602.10.6.4	PER FIGURE R602.10.6.4

\*BASED ON 16" O.C. STUD SPACING \*\*OR EQUIVALENT PER TABLE R102.3.5

**BRACED WALL NOTES:**

- WALLS SHALL BE DESIGNED IN ACCORDANCE WITH SECTION R602.10 FROM THE 2015 INTERNATIONAL RESIDENTIAL CODE AS ALLOWED PER SECTION R602.10 OF THE 2018 NC RESIDENTIAL CODE.
- WALLS ARE DESIGNED FOR SEISMIC ZONES A-C AND MAXIMUM WIND SPEEDS OF 130 MPH.
- BRACING MATERIALS, METHODS AND FASTENERS SHALL BE IN ACCORDANCE WITH IRC TABLE R602.10.4.
- REFER TO ARCHITECTURAL PLAN FOR DOOR/WINDOW OPENING SIZES.
- ALL BRACED WALL PANELS SHALL BE FULL WALL HEIGHT AND SHALL NOT EXCEED 10 FEET FOR ISOLATED PANEL METHOD AND 12 FEET FOR CONTINUOUS SHEATHING METHOD WITHOUT ADDITIONAL ENGINEERING CALCULATIONS.
- MINIMUM PANEL LENGTH SHALL BE PER TABLE R602.10.5.
- THE INTERIOR SIDE OF EXTERIOR WALLS AND BOTH SIDES OF INTERIOR WALLS SHALL BE SHEATHED CONTINUOUSLY WITH MINIMUM 1/2" GYPSUM BOARD (UNO).
- FOR CONTINUOUS SHEATHING METHOD, EXTERIOR WALLS SHALL BE SHEATHED ON ALL SHEATHABLE SURFACES INCLUDING INFILL AREAS BETWEEN BRACED WALL PANELS, ABOVE AND BELOW WALL OPENINGS, AND ON GABLE END WALLS.
- FLOORS SHALL NOT BE CANTILEVERED MORE THAN 24" BEYOND THE FOUNDATION OR BEARING WALL BELOW WITHOUT ADDITIONAL ENGINEERING CALCULATIONS.
- A BRACED WALL PANEL SHALL BEGIN WITHIN 10 FEET FROM EACH END OF A BRACED WALL LINE.
- THE DISTANCE BETWEEN ADJACENT EDGES OF BRACED WALL PANELS ALONG A BRACED WALL LINE SHALL BE NO GREATER THAN 20 FEET.
- ADEQUATE CONTINUOUS LOAD PATHS FOR TRANSFER OF BRACING LOADS AND UPLIFT LOADS SHALL COMPLY WITH IRC SECTION R602.3.5.
- MASONRY OR CONCRETE STEM WALLS WITH A LENGTH OF 48" OR LESS SUPPORTING A BRACED WALL PANEL SHALL BE DESIGNED IN ACCORDANCE WITH FIGURE R602.10.9.
- BRACED WALL PANEL CONNECTIONS TO FLOOR/CEILING SHALL BE CONSTRUCTED IN ACCORDANCE WITH SECTION R602.10.8 (SEE DETAIL 1/D51 FROM DETAIL PACKAGE).
- BRACED WALL PANEL CONNECTIONS TO ROOF SHALL BE CONSTRUCTED IN ACCORDANCE WITH SECTION R602.10.2 AND FIGURES R602.10.2(1/4)(2/4)(3).
- CRIPPLE WALLS AND WALK OUT BASEMENT WALLS SHALL BE DESIGNED IN ACCORDANCE WITH SECTION R602.10.11.
- PORTAL WALLS SHALL BE DESIGNED IN ACCORDANCE WITH FIGURE R602.10.6.4 (UNO).
- ON SCHEMATIC, SHADED WALLS INDICATE BRACED WALL PANELS.
- ABBREVIATIONS:  
 GB = GYPSUM BOARD  
 CS-XXX = CONT. SHEATHED  
 FF = PORTAL FRAME  
 WSP = WOOD STRUCTURAL PANEL  
 ENG = ENGINEERED SOLUTION  
 ENG-FF = ENGINEERED PORTAL FRAME

INSTALL HOLD-DOWNS FOR BRACED WALL END CONDITIONS PER SECTION R602.10.8 AND FIGURE R602.10.1 OF THE 2015 IRC.

ROOF TRUSS AND FLOOR JOIST LAYOUTS, AND THEIR CORRESPONDING LOADING DETAILS, WERE NOT PROVIDED TO SUMMIT ENGINEERING, LABORATORY & TESTING, INC. (SUMMIT) PRIOR TO THE INITIAL DESIGN. THEREFORE, TRUSS AND JOIST DIRECTIONS WERE ASSUMED BASED ON THE INFORMATION PROVIDED BY LGI HOMES. SUBSEQUENT PLAN REVISIONS BASED ON ROOF TRUSS AND FLOOR JOIST LAYOUTS SHALL BE NOTED IN THE REVISION LIST, INDICATING THE DATE THE LAYOUTS WERE PROVIDED. SHOULD ANY DISCREPANCIES BECOME APPARENT, THE CONTRACTOR SHALL NOTIFY SUMMIT IMMEDIATELY.

THESE PLANS ARE DESIGNED IN ACCORDANCE WITH ARCHITECTURAL PLANS PROVIDED BY LGI HOMES COMPLETED/REVISED ON 10/05/2021. IT IS THE RESPONSIBILITY OF THE CLIENT TO NOTIFY SUMMIT ENGINEERING, LABORATORY & TESTING, INC. IF ANY CHANGES ARE MADE TO THE ARCHITECTURAL PLANS PRIOR TO CONSTRUCTION. SUMMIT CANNOT GUARANTEE THE ADEQUACY OF THESE STRUCTURAL PLANS WHEN USED WITH ARCHITECTURAL PLANS DATED DIFFERENTLY THAN THE DATE LISTED ABOVE.

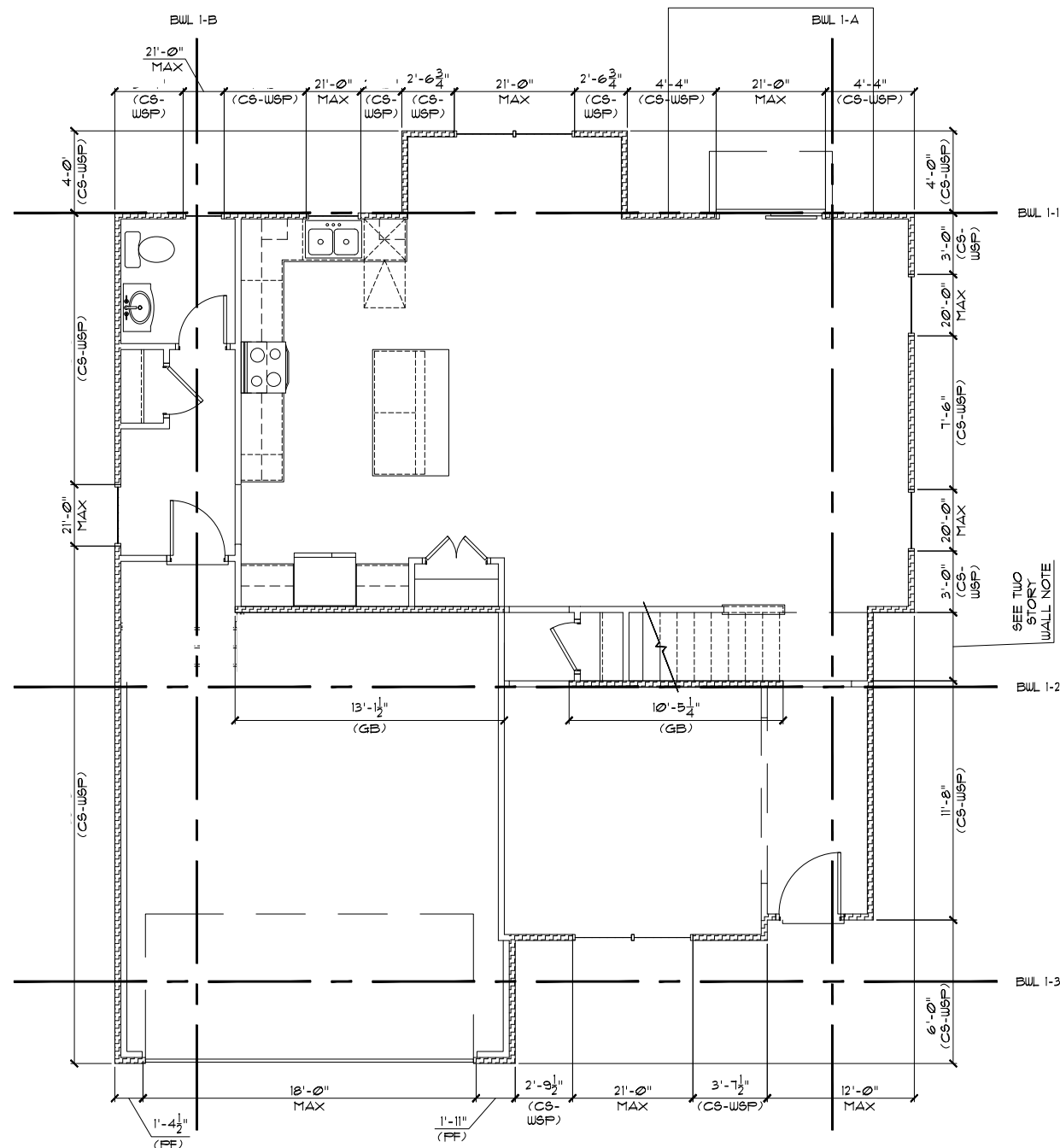
**STRUCTURAL MEMBERS ONLY**

ENGINEERING SEAL APPLIES ONLY TO STRUCTURAL COMPONENTS ON THIS DOCUMENT. SEAL DOES NOT INCLUDE CONSTRUCTION MEANS, METHODS, TECHNIQUES, SEQUENCES, PROCEDURES OR SAFETY PRECAUTIONS. ANY DEVIATIONS OR DISCREPANCIES ON PLANS ARE TO BE BROUGHT TO THE IMMEDIATE ATTENTION OF SUMMIT ENGINEERING, LABORATORY & TESTING, INC. FAILURE TO DO SO WILL VOID SUMMIT LIABILITY.

STRUCTURAL ANALYSIS BASED ON 2018 NCRC.

**FIRST FLOOR BRACING PLAN**

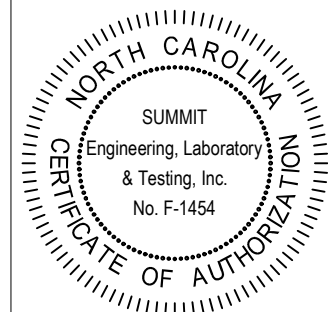
SCALE: 1/8"=1'



FIRST-FLOOR BRACING (FT)		
	CONTINUOUS SHEATHING METHOD	
	REQUIRED	PROVIDED
BUL 1-1	11.6	23.1
BUL 1-2	11.6	11.1
BUL 1-3	7.1	11.6
BUL 1-A	11.6	35.2
BUL 1-B	11.6	42.5

**SUMMIT**  
ENGINEERING LABORATORY TESTING

3070 HAMMOND BUSINESS PLACE, SUITE 171  
RALEIGH, NC 27603  
OFFICE: 919.380.9991  
FAX: 919.380.9993  
WWW.SUMMIT-COMPANIES.COM



PROJECT  
**CRAVEN OFFICE/HOME STUDY**  
First Floor Bracing  
CLIENT  
**LGI Homes**  
7201 Creedmoor Road, Suite 147  
Raleigh, NC 27613

CURRENT DRAWING  
DATE: 10/14/2021  
SCALE: 1/8"=1'-0"  
PROJECT #: 1203-08R: 25255R  
DRAWN BY: BAF  
CHECKED BY: CTB

ORIGINAL DRAWING  
DATE: 10/24/19 PROJECT #: 25255

REFER TO COVER SHEET FOR A COMPLETE LIST OF REVISIONS

SHEET  
**S7.0**



STRUCTURAL MEMBERS ONLY

REQUIRED BRACED WALL PANEL CONNECTIONS				
METHOD	MATERIAL	MIN. THICKNESS	REQUIRED CONNECTION	
			# PANEL EDGES	# INTERMEDIATE SUPPORTS
CS-WSP	WOOD STRUCTURAL PANEL	3/8"	6d COMMON NAIL <sup>5</sup> @ 6" O.C.	6d COMMON NAIL <sup>5</sup> @ 12" O.C.
GB	GYP SUM BOARD	1/2"	5d COOLER NAIL <sup>5</sup> @ 1" O.C.	5d COOLER NAIL <sup>5</sup> @ 1" O.C.
WSP	WOOD STRUCTURAL PANEL	3/8"	6d COMMON NAIL <sup>5</sup> @ 6" O.C.	6d COMMON NAIL <sup>5</sup> @ 12" O.C.
FF	WOOD STRUCTURAL PANEL	1/16"	PER FIGURE R602.10.6.4	PER FIGURE R602.10.6.4

<sup>5</sup>BASED ON 16" O.C. STUD SPACING    <sup>4</sup>OR EQUIVALENT PER TABLE R102.3.5

**BRACED WALL NOTES:**

- WALLS SHALL BE DESIGNED IN ACCORDANCE WITH SECTION R602.10 FROM THE 2015 INTERNATIONAL RESIDENTIAL CODE AS ALLOWED PER SECTION R602.10 OF THE 2018 NC RESIDENTIAL CODE.
  - WALLS ARE DESIGNED FOR SEISMIC ZONES A-C AND MAXIMUM WIND SPEEDS OF 130 MPH.
  - BRACING MATERIALS, METHODS AND FASTENERS SHALL BE IN ACCORDANCE WITH IRC TABLE R602.10.4.
  - REFER TO ARCHITECTURAL PLAN FOR DOOR/WINDOW OPENING SIZES.
  - ALL BRACED WALL PANELS SHALL BE FULL WALL HEIGHT AND SHALL NOT EXCEED 10 FEET FOR ISOLATED PANEL METHOD AND 12 FEET FOR CONTINUOUS SHEATHING METHOD WITHOUT ADDITIONAL ENGINEERING CALCULATIONS.
  - MINIMUM PANEL LENGTH SHALL BE PER TABLE R602.10.5.
  - THE INTERIOR SIDE OF EXTERIOR WALLS AND BOTH SIDES OF INTERIOR WALLS SHALL BE SHEATHED CONTINUOUSLY WITH MINIMUM 1/2" GYPSUM BOARD (UNO).
  - FOR CONTINUOUS SHEATHING METHOD, EXTERIOR WALLS SHALL BE SHEATHED ON ALL SHEATHABLE SURFACES INCLUDING INFILL AREAS BETWEEN BRACED WALL PANELS, ABOVE AND BELOW WALL OPENINGS, AND ON GABLE END WALLS.
  - FLOORS SHALL NOT BE CANTILEVERED MORE THAN 24" BEYOND THE FOUNDATION OR BEARING WALL BELOW WITHOUT ADDITIONAL ENGINEERING CALCULATIONS.
  - A BRACED WALL PANEL SHALL BEGIN WITHIN 10 FEET FROM EACH END OF A BRACED WALL LINE.
  - THE DISTANCE BETWEEN ADJACENT EDGES OF BRACED WALL PANELS ALONG A BRACED WALL LINE SHALL BE NO GREATER THAN 20 FEET.
  - ADEQUATE CONTINUOUS LOAD PATHS FOR TRANSFER OF BRACING LOADS AND UPLIFT LOADS SHALL COMPLY WITH IRC SECTION R602.3.5.
  - MASONRY OR CONCRETE STEM WALLS WITH A LENGTH OF 48" OR LESS SUPPORTING A BRACED WALL PANEL SHALL BE DESIGNED IN ACCORDANCE WITH FIGURE R602.10.9.
  - BRACED WALL PANEL CONNECTIONS TO FLOOR/CEILING SHALL BE CONSTRUCTED IN ACCORDANCE WITH SECTION R602.10.8 (SEE DETAIL 1/D51 FROM DETAIL PACKAGE).
  - BRACED WALL PANEL CONNECTIONS TO ROOF SHALL BE CONSTRUCTED IN ACCORDANCE WITH SECTION R602.10.2.2 AND FIGURES R602.10.2(1/4)(2/4)(3).
  - CRIPPLE WALLS AND WALK OUT BASEMENT WALLS SHALL BE DESIGNED IN ACCORDANCE WITH SECTION R602.10.11
  - PORTAL WALLS SHALL BE DESIGNED IN ACCORDANCE WITH FIGURE R602.10.6.4 (UNO)
  - ON SCHEMATIC, SHADED WALLS INDICATE BRACED WALL PANELS.
- ABBREVIATIONS:  
 GB = GYPSUM BOARD                      WSP = WOOD STRUCTURAL PANEL  
 CS-XXX = CONT. SHEATHED              ENG = ENGINEERED SOLUTION  
 FF = PORTAL FRAME                        ENG-FF = ENGINEERED PORTAL FRAME

INSTALL HOLD-DOWNS FOR BRACED WALL END CONDITIONS PER SECTION R602.10.8 AND FIGURE R602.10.1 OF THE 2015 IRC.

ROOF TRUSS AND FLOOR JOIST LAYOUTS, AND THEIR CORRESPONDING LOADING DETAILS, WERE NOT PROVIDED TO SUMMIT ENGINEERING, LABORATORY & TESTING, INC. (SUMMIT) PRIOR TO THE INITIAL DESIGN. THEREFORE, TRUSS AND JOIST DIRECTIONS WERE ASSUMED BASED ON THE INFORMATION PROVIDED BY LGI HOMES. SUBSEQUENT PLAN REVISIONS BASED ON ROOF TRUSS AND FLOOR JOIST LAYOUTS SHALL BE NOTED IN THE REVISION LIST, INDICATING THE DATE THE LAYOUTS WERE PROVIDED. SHOULD ANY DISCREPANCIES BECOME APPARENT, THE CONTRACTOR SHALL NOTIFY SUMMIT IMMEDIATELY.

THESE PLANS ARE DESIGNED IN ACCORDANCE WITH ARCHITECTURAL PLANS PROVIDED BY LGI HOMES COMPLETED/REVISED ON 10/05/2021. IT IS THE RESPONSIBILITY OF THE CLIENT TO NOTIFY SUMMIT ENGINEERING, LABORATORY & TESTING, INC. IF ANY CHANGES ARE MADE TO THE ARCHITECTURAL PLANS PRIOR TO CONSTRUCTION. SUMMIT CANNOT GUARANTEE THE ADEQUACY OF THESE STRUCTURAL PLANS WHEN USED WITH ARCHITECTURAL PLANS DATED DIFFERENTLY THAN THE DATE LISTED ABOVE.

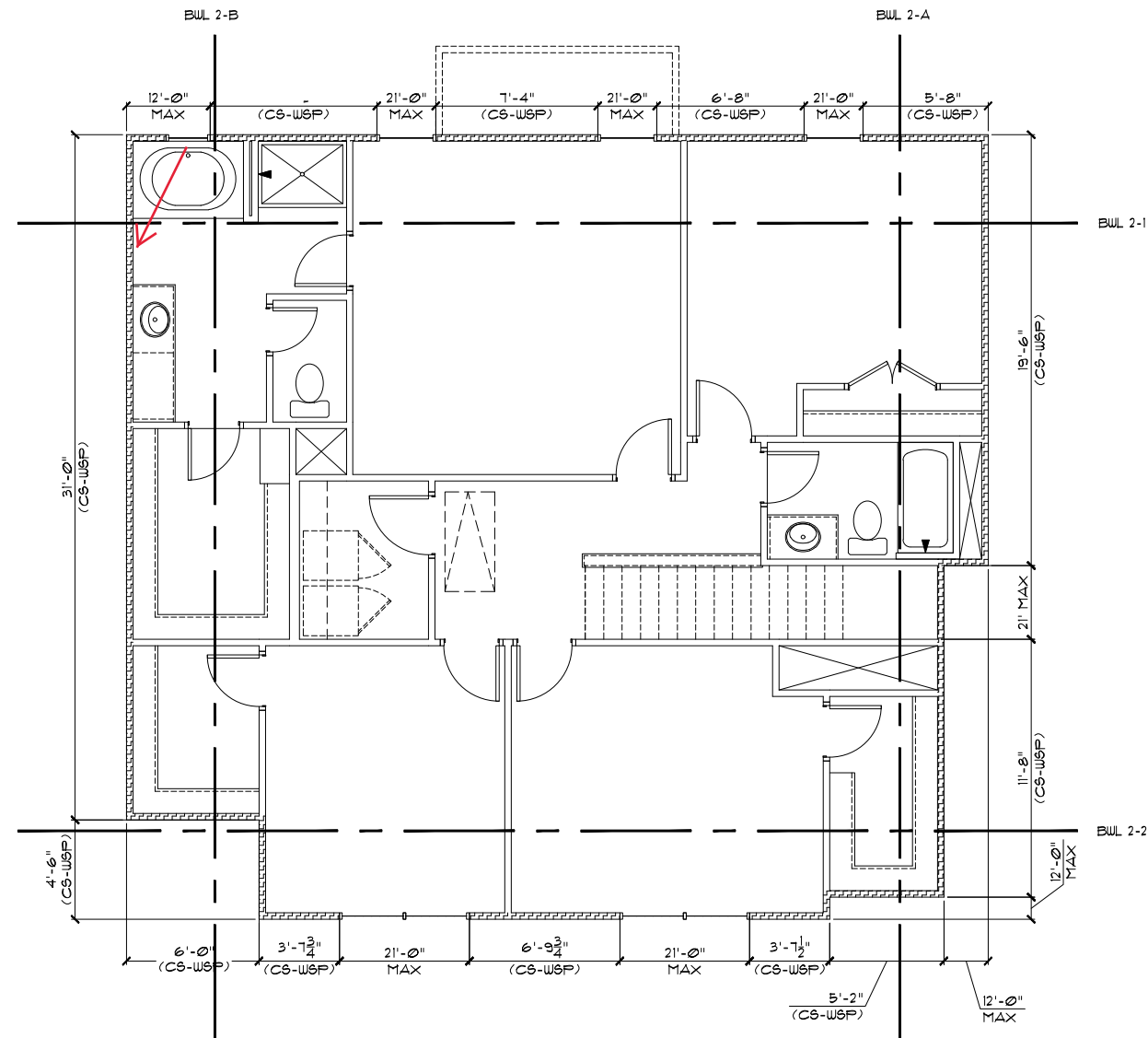
**STRUCTURAL MEMBERS ONLY**

ENGINEERING SEAL APPLIES ONLY TO STRUCTURAL COMPONENTS ON THIS DOCUMENT. SEAL DOES NOT INCLUDE CONSTRUCTION MEANS, METHODS, TECHNIQUES, SEQUENCES, PROCEDURES OR SAFETY PRECAUTIONS. ANY DEVIATIONS OR DISCREPANCIES ON PLANS ARE TO BE BROUGHT TO THE IMMEDIATE ATTENTION OF SUMMIT ENGINEERING, LABORATORY & TESTING, INC. FAILURE TO DO SO WILL VOID SUMMIT LIABILITY.

STRUCTURAL ANALYSIS BASED ON 2018 NCRC.

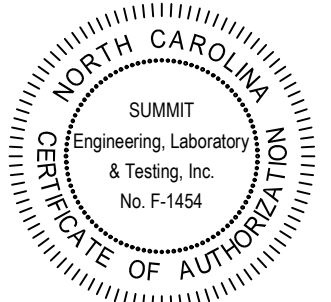
**SECOND FLOOR BRACING PLAN**

SCALE: 1/8"=1'



SECOND-FLOOR BRACING (FT)		
	CONTINUOUS SHEATHING METHOD	
	REQUIRED	PROVIDED
BUL 2-1	5.8	21.2
BUL 2-2	5.8	25.2
BUL 2-A	6.5	31.1
BUL 2-B	6.5	35.5

**SUMMIT**  
 ENGINEERING LABORATORY TESTING  
 3070 HAMMOND BUSINESS PLACE, SUITE 171  
 RALEIGH, NC 27603  
 OFFICE: 919.380.9991  
 FAX: 919.380.9993  
 WWW.SUMMIT-COMPANIES.COM



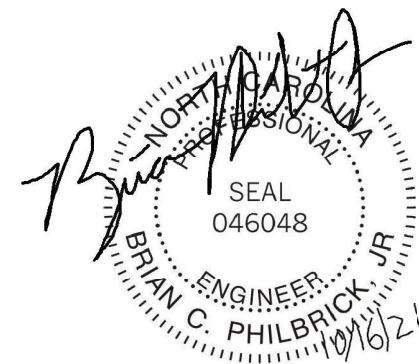
PROJECT  
**CRAVEN OFFICE/HOME STUDY**  
**Second Floor Bracing**  
 CLIENT  
**LGI Homes**  
**7201 Creedmoor Road, Suite 147**  
**Raleigh, NC 27613**

**CURRENT DRAWING**  
 DATE: 10/14/2021  
 SCALE: 1/8"=1'-0"  
 PROJECT #: 1203-08R: 25255R  
 DRAWN BY: BAF  
 CHECKED BY: CTB

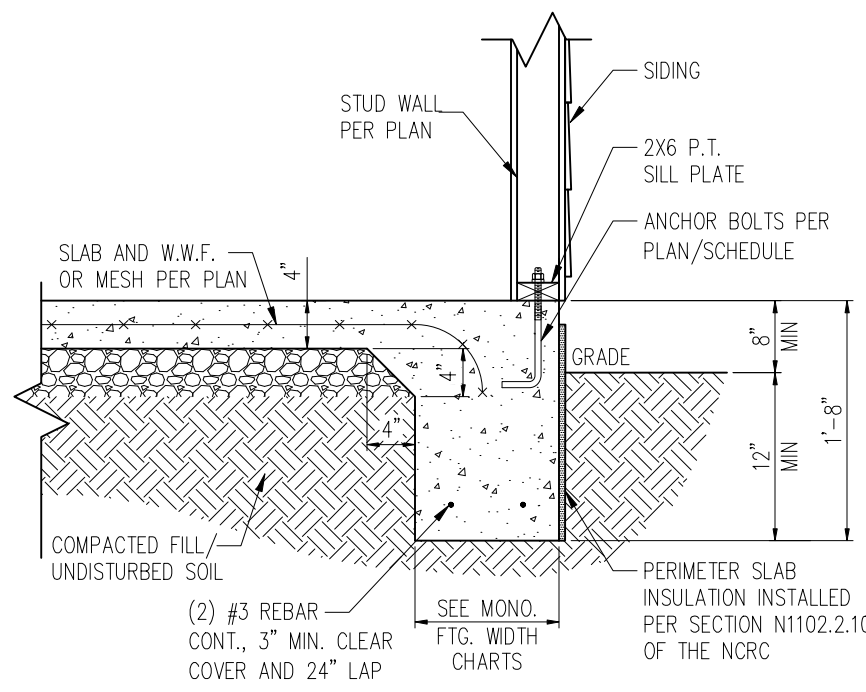
**ORIGINAL DRAWING**  
 DATE: 10/24/19      PROJECT #: 25255

REFER TO COVER SHEET FOR A COMPLETE LIST OF REVISIONS

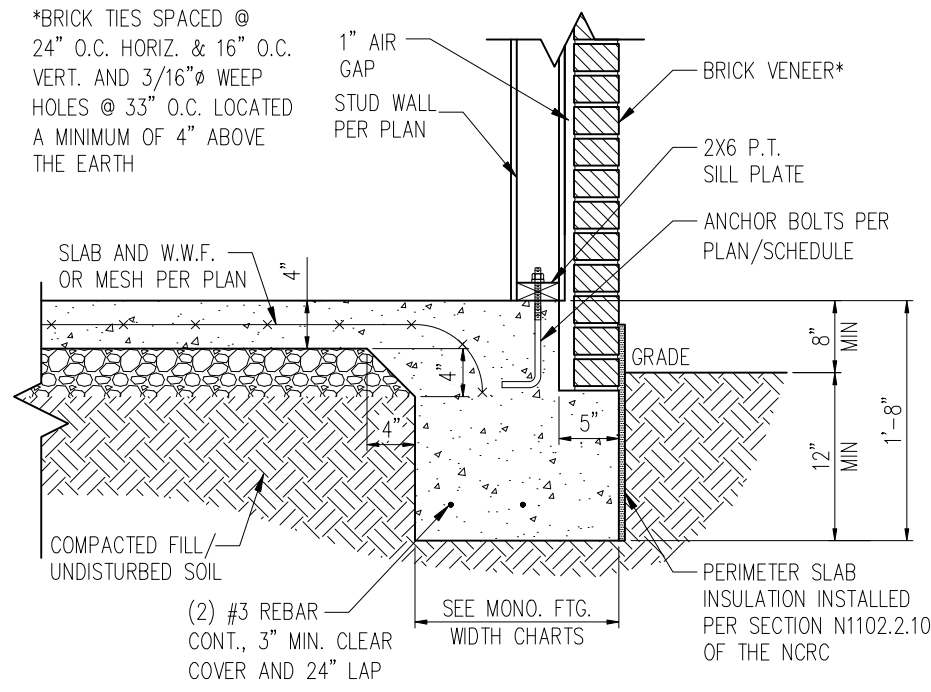
SHEET  
**S8.0**



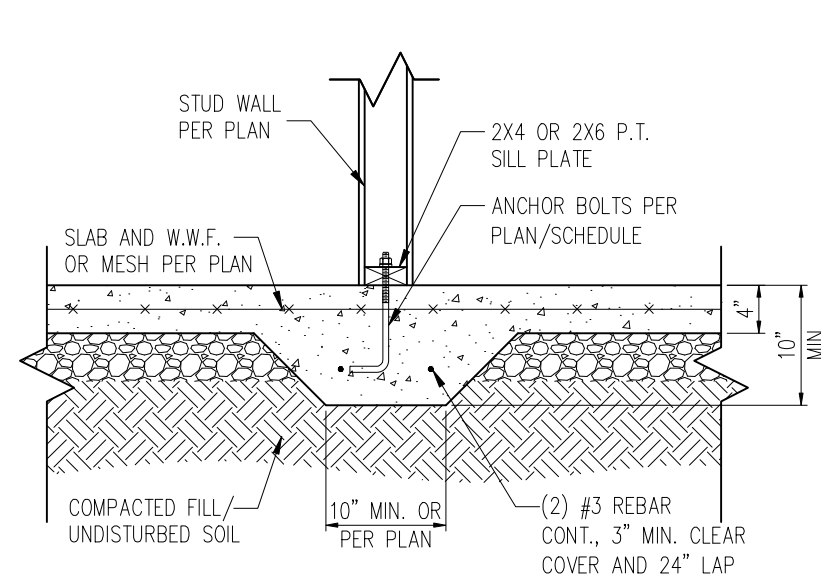
STRUCTURAL MEMBERS ONLY



STANDARD - SIDING

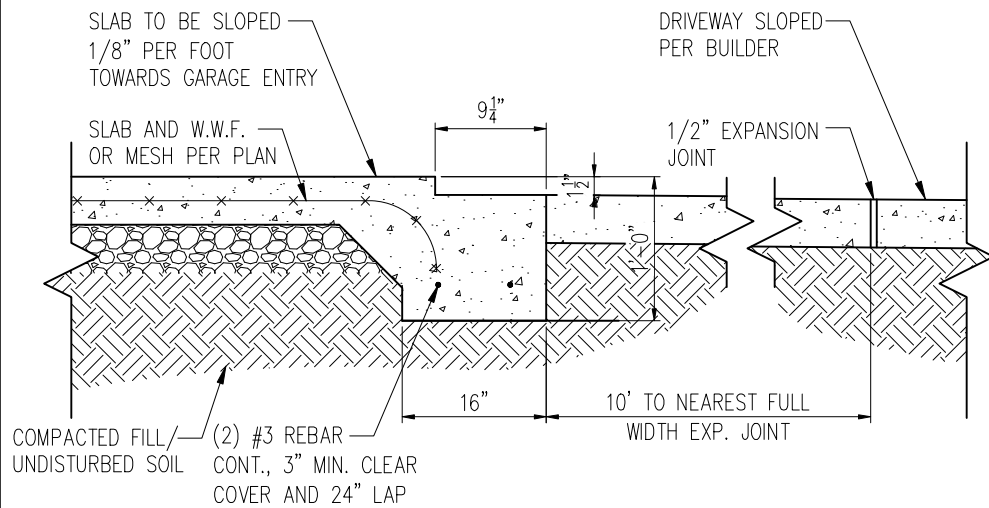


STANDARD - BRICK

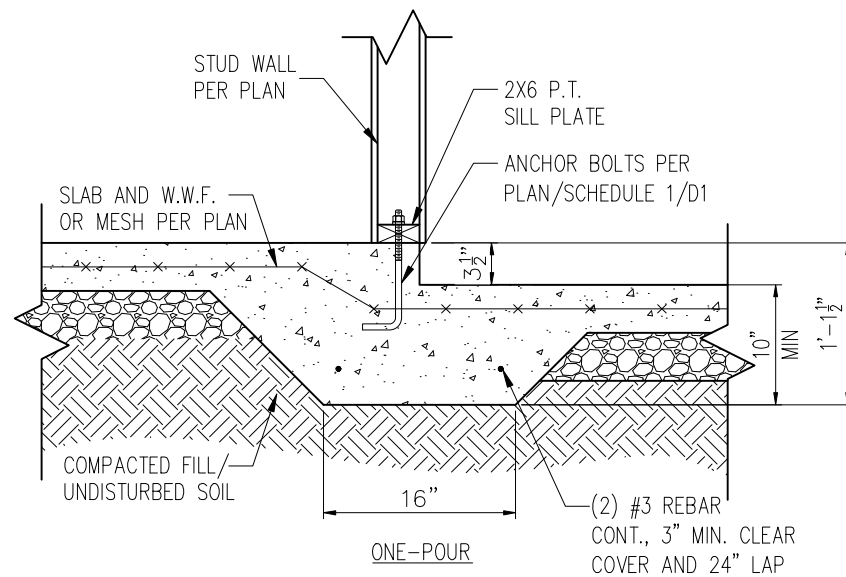


3 TYP. THICKENED SLAB DETAIL  
D1m 3/4" = 1'-0"

1 TYP. SLAB DETAIL  
D1m 3/4" = 1'-0"



2 SLAB AT GARAGE DOOR  
D1m 3/4" = 1'-0"



4 STEP IN GARAGE  
D1m 3/4" = 1'-0"

WALL ANCHOR SCHEDULE

TYPE OF ANCHOR	MIN. CONC. EMBEDMENT	SPACING EMBEDMENT	INTERIOR WALL	EXTERIOR WALL
1/2" Ø A307 BOLTS w/ STD. 90° BEND	7"	6'-0"	YES	YES
SST - MASA	4"	6'-0"	NO	YES
1/2" Ø THREADED ROD w/ w/ SST SET-XP EPOXY	7"	6'-0"	YES	YES
1/2" Ø SST TITEN HD	4-1/4"	6'-0"	YES	YES

NOTE:

- 1) INSTALL ALL ANCHORS 12" MAX. FROM ALL BOTTOM PLATE ENDS AND JOINTS.
- 2) EQUIVALENT ANCHORS MAY BE USED. SIZE & SPACING PER MANUF. SPECS.

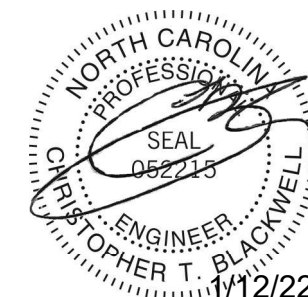
MONOLITHIC FOOTING WIDTH

# OF STORIES	WIDTH BASED ON SOIL BEARING CAPACITY		
	1500 PSF	2000 PSF	2500 PSF
1 STORY - STD.	16"	16"	16"
1 STORY - BRICK VENEER	21"*	21"*	21"*
2 STORY - STD.	16"	16"	16"
2 STORY - BRICK VENEER	21"*	21"*	21"*
3 STORY - STD.	23"	18"	18"
3 STORY - BRICK VENEER	32"*	24"*	24"*

\*5" BRICK LEDGE HAS BEEN ADDED TO THE MONOLITHIC FOOTING WIDTH FOR BRICK SUPPORT

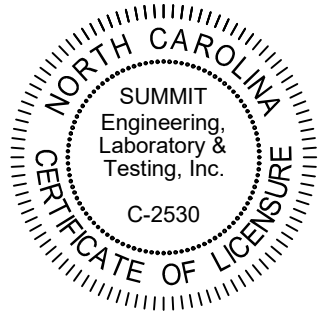
NOTES:

1. REFER TO GENERAL NOTES & SPECIFICATIONS ON SHEET CS2 FOR ADDITIONAL INFORMATION.
2. PROVIDE 6 MIL VAPOR BARRIER UNDER ALL SLABS-ON-GRADE.
3. SEE ARCH. DWGS. FOR ALL TOP OF THE SLAB ELEVATIONS, SLOPES AND DEPRESSIONS.



STRUCTURAL MEMBERS ONLY

**SUMMIT**  
ENGINEERING LABORATORY TESTING  
3070 HAMMOND BUSINESS PLACE, SUITE 171  
RALEIGH, NC 27603  
OFFICE: 919.380.9991  
FAX: 919.380.9993  
WWW.SUMMIT-COMPANIES.COM



PROJECT  
Standard Details  
Monolithic Slab Details  
CLIENT  
LGI Homes  
3037 Sherman Drive  
Lancaster, SC 29720

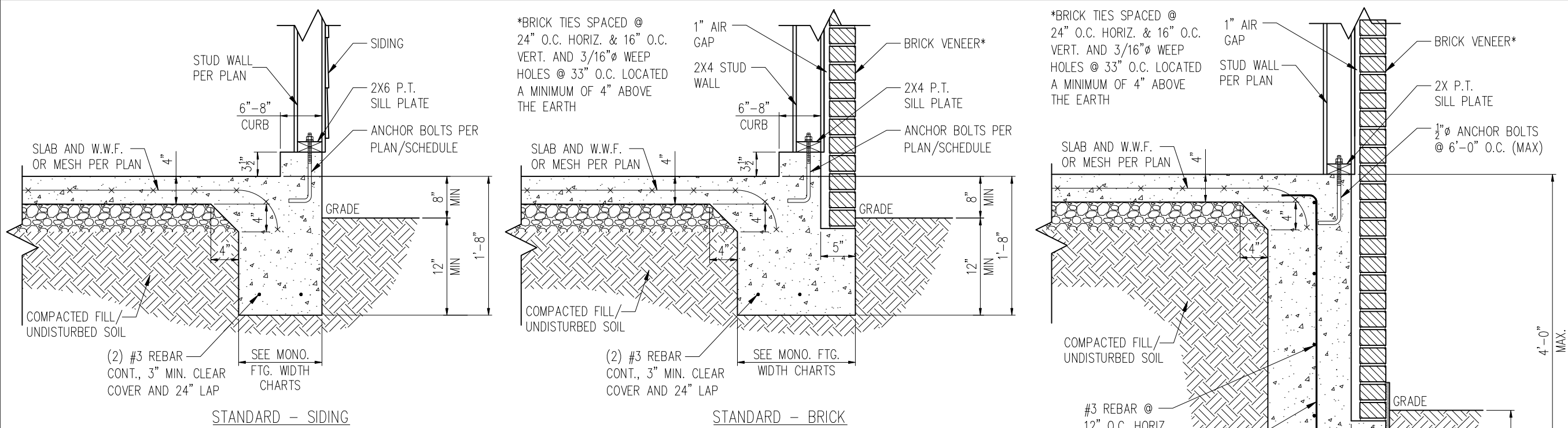
CURRENT DRAWING  
DATE: 10/05/21  
SCALE: NTS  
PROJECT #: 3554.T0040  
DRAWN BY: MSB  
CHECKED BY: CTB

ORIGINAL DRAWING  
DATE PROJECT #  
10/01/19 24512

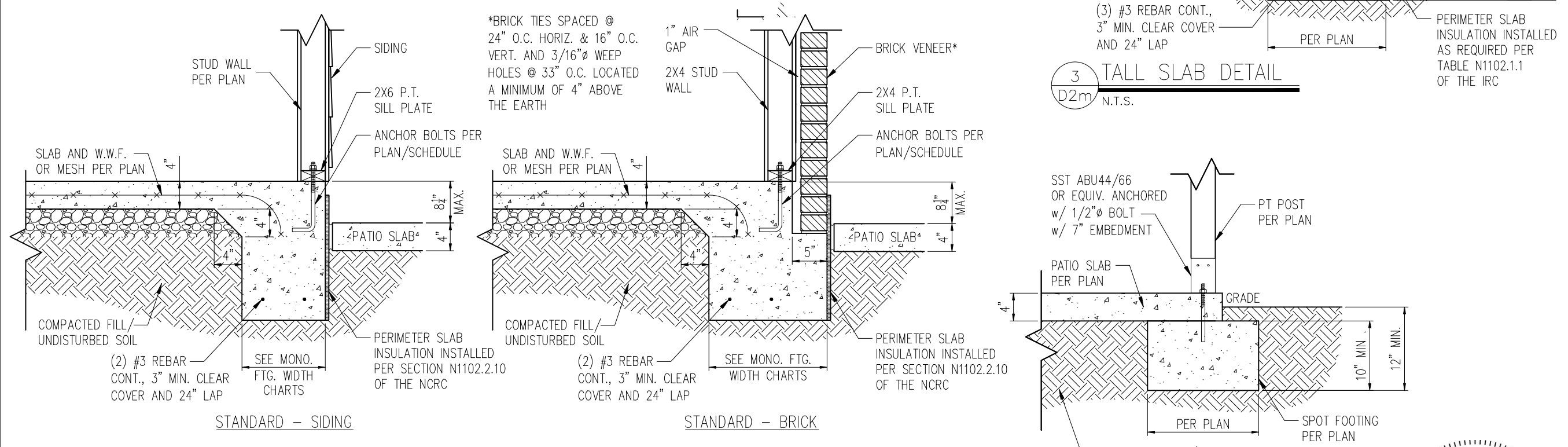
REFER TO COVER SHEET FOR A COMPLETE LIST OF REVISIONS

SHEET

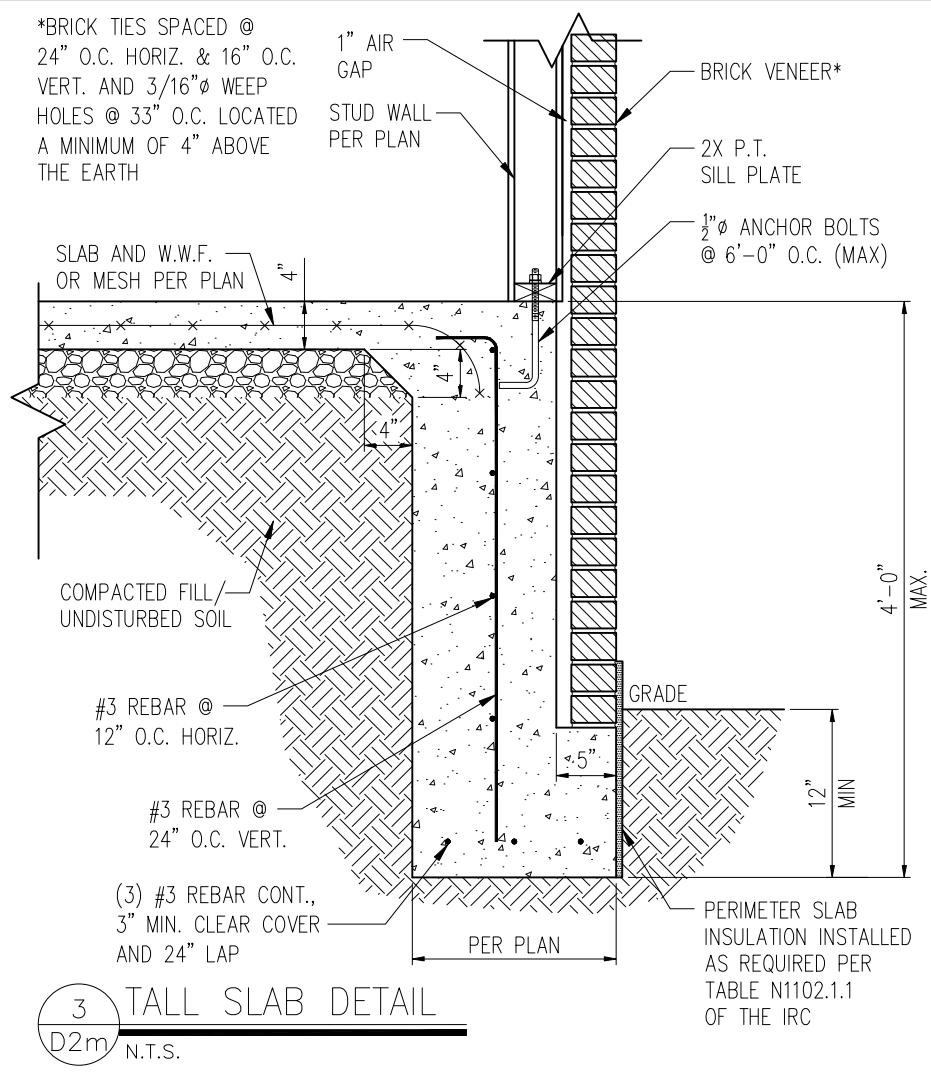
D1m



**1 TYP. GARAGE CURB DETAIL**  
 D2m 3/4" = 1'-0"

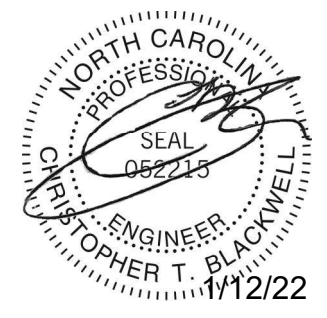


**2 PATIO SLAB DETAIL**  
 D2m 3/4" = 1'-0"



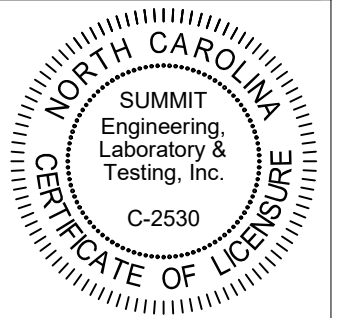
**3 TALL SLAB DETAIL**  
 D2m N.T.S.

- NOTES:**
- REFER TO GENERAL NOTES & SPECIFICATIONS ON SHEET CS2 FOR ADDITIONAL INFORMATION.
  - PROVIDE 6 MIL VAPOR BARRIER UNDER ALL SLABS-ON-GRADE.
  - SEE ARCH. DWGS. FOR ALL TOP OF THE SLAB ELEVATIONS, SLOPES AND DEPRESSIONS.



STRUCTURAL MEMBERS ONLY

**SUMMIT**  
 ENGINEERING LABORATORY TESTING  
 3070 HAMMOND BUSINESS PLACE, SUITE 171  
 RALEIGH, NC 27603  
 OFFICE: 919.380.9991  
 FAX: 919.380.9993  
 WWW.SUMMIT-COMPANIES.COM



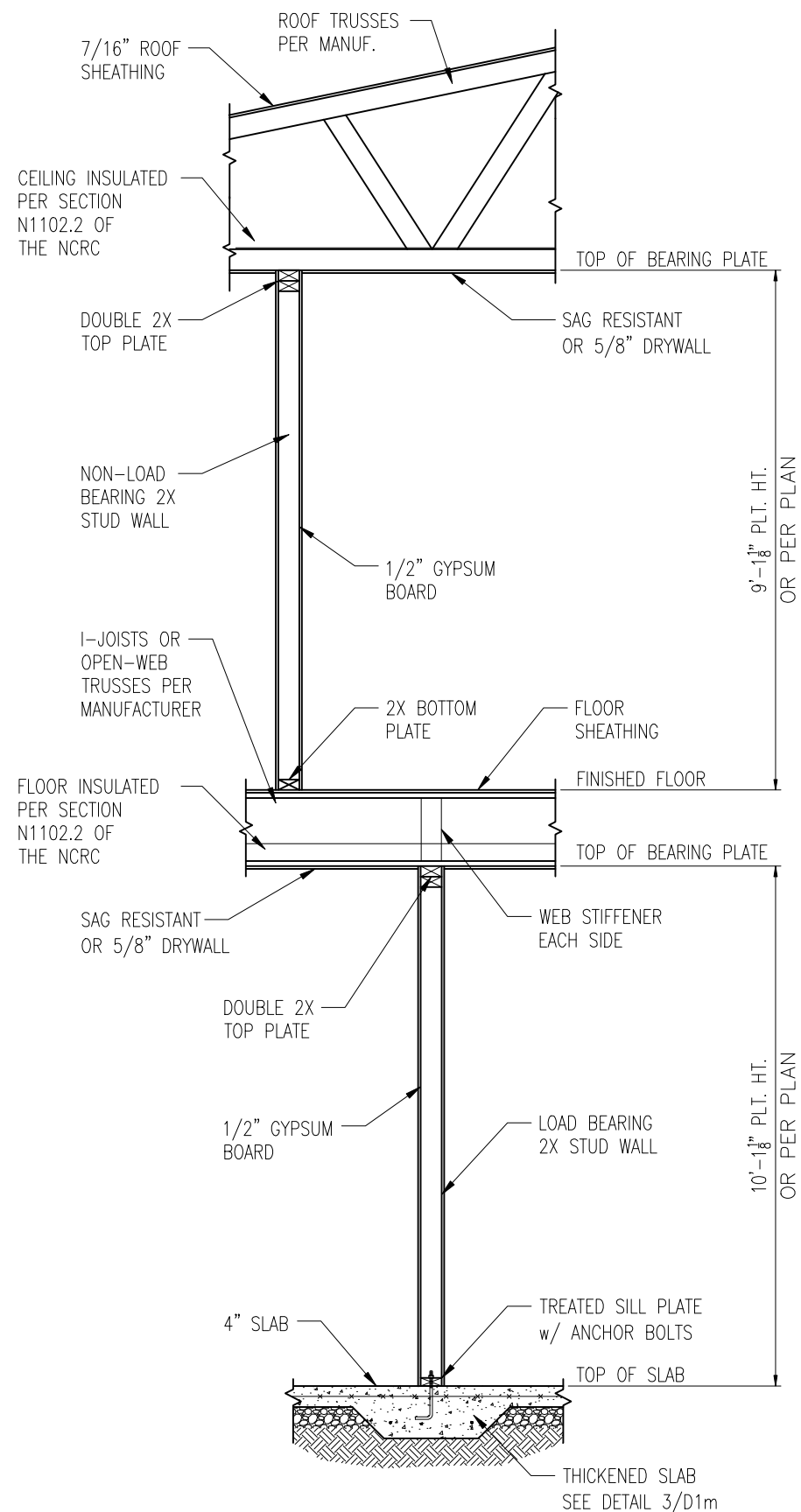
**Standard Details**  
**Monolithic Slab Details**  
 CLIENT: LGI Homes  
 3037 Sherman Drive  
 Lancaster, SC 29720

**CURRENT DRAWING**  
 DATE: 10/05/21  
 SCALE: NTS  
 PROJECT #: 3554.T0040  
 DRAWN BY: MSB  
 CHECKED BY: CTB

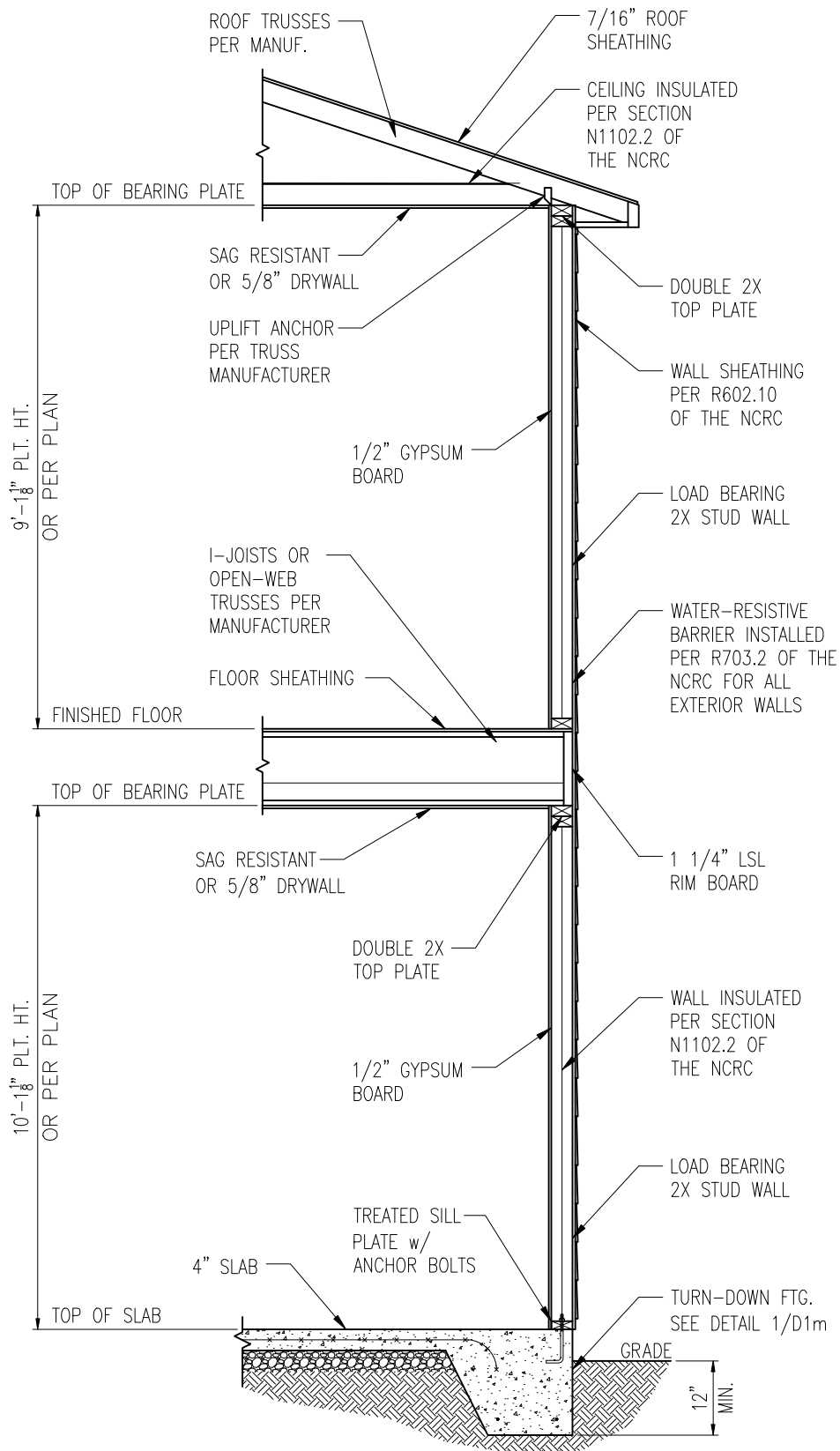
**ORIGINAL DRAWING**  
 DATE: 10/01/19  
 PROJECT #: 24512

REFER TO COVER SHEET FOR A COMPLETE LIST OF REVISIONS

SHEET  
**D2m**

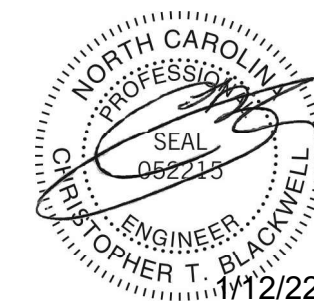


1 TYP. INTERIOR LOAD BEARING WALL SECTION  
 D3m 3/4" = 1'-0"



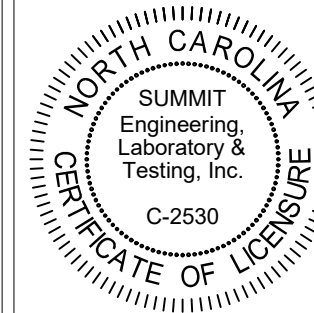
2 TYP. EXTERIOR LOAD BEARING WALL SECTION  
 D3m 3/4" = 1'-0"  
 -SIMILAR w/ BRICK AND STONE  
 -BRICK TIES SPACED @ 24" O.C. HORIZ. & 16" O.C. VERT.  
 -MIN. 3/16" Ø WEEP HOLES @ 33" O.C.

- NOTES:
1. REFER TO GENERAL NOTES & SPECIFICATIONS ON SHEET CS2 FOR ADDITIONAL INFORMATION.
  2. PROVIDE 6 MIL VAPOR BARRIER UNDER ALL SLABS-ON-GRADE.
  3. SEE ARCH. DWGS. FOR ALL TOP OF THE SLAB ELEVATIONS, SLOPES AND DEPRESSIONS.



STRUCTURAL MEMBERS ONLY

**SUMMIT**  
 ENGINEERING LABORATORY TESTING  
 3070 HAMMOND BUSINESS PLACE, SUITE 171  
 RALEIGH, NC 27603  
 OFFICE: 919.380.9991  
 FAX: 919.380.9993  
 WWW.SUMMIT-COMPANIES.COM



PROJECT  
**Standard Details**  
**Monolithic Slab Details**  
 CLIENT  
**LGI Homes**  
 3037 Sherman Drive  
 Lancaster, SC 29720

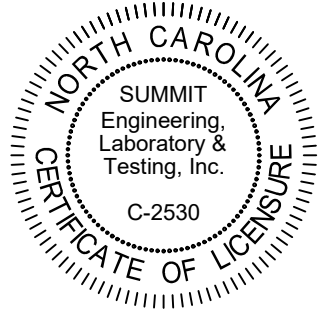
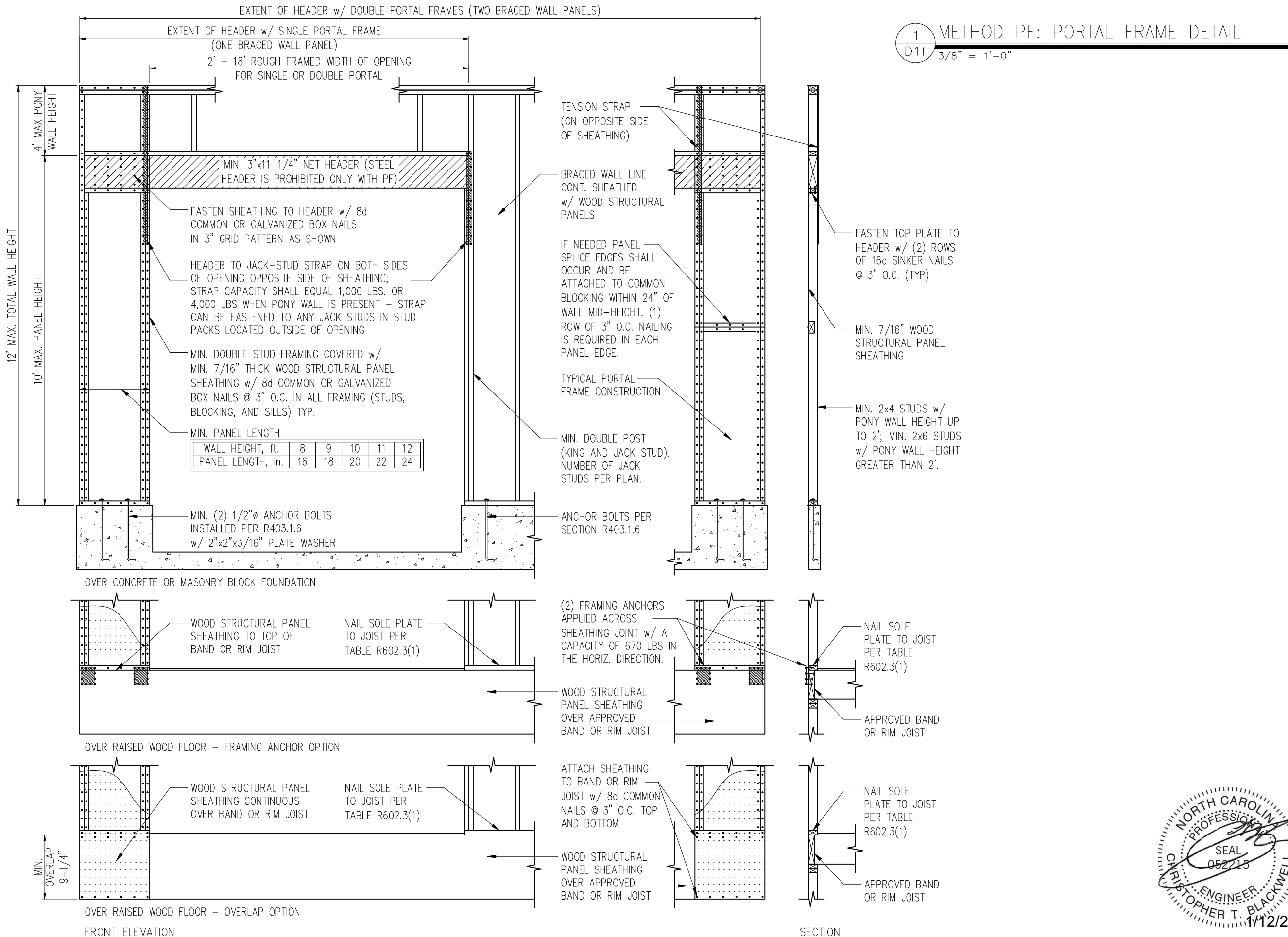
CURRENT DRAWING  
 DATE: 10/05/21  
 SCALE: NTS  
 PROJECT #: 3554.T0040  
 DRAWN BY: MSB  
 CHECKED BY: CTB

ORIGINAL DRAWING  
 DATE: 10/01/19 PROJECT #: 24512

REFER TO COVER SHEET FOR A COMPLETE LIST OF REVISIONS

SHEET  
**D3m**



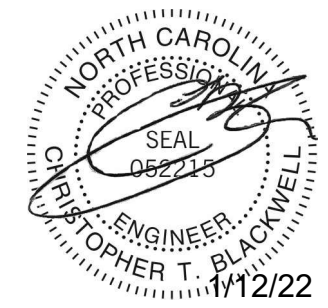


PROJECT  
**Standard Details**  
**Framing Details**  
CLIENT  
**LGI Homes**  
**3037 Sherman Drive**  
**Lancaster, SC 29720**

CURRENT DRAWING  
DATE: 10/05/21  
SCALE: NTS  
PROJECT #: 3554.T0040  
DRAWN BY: MSB  
CHECKED BY: CTB

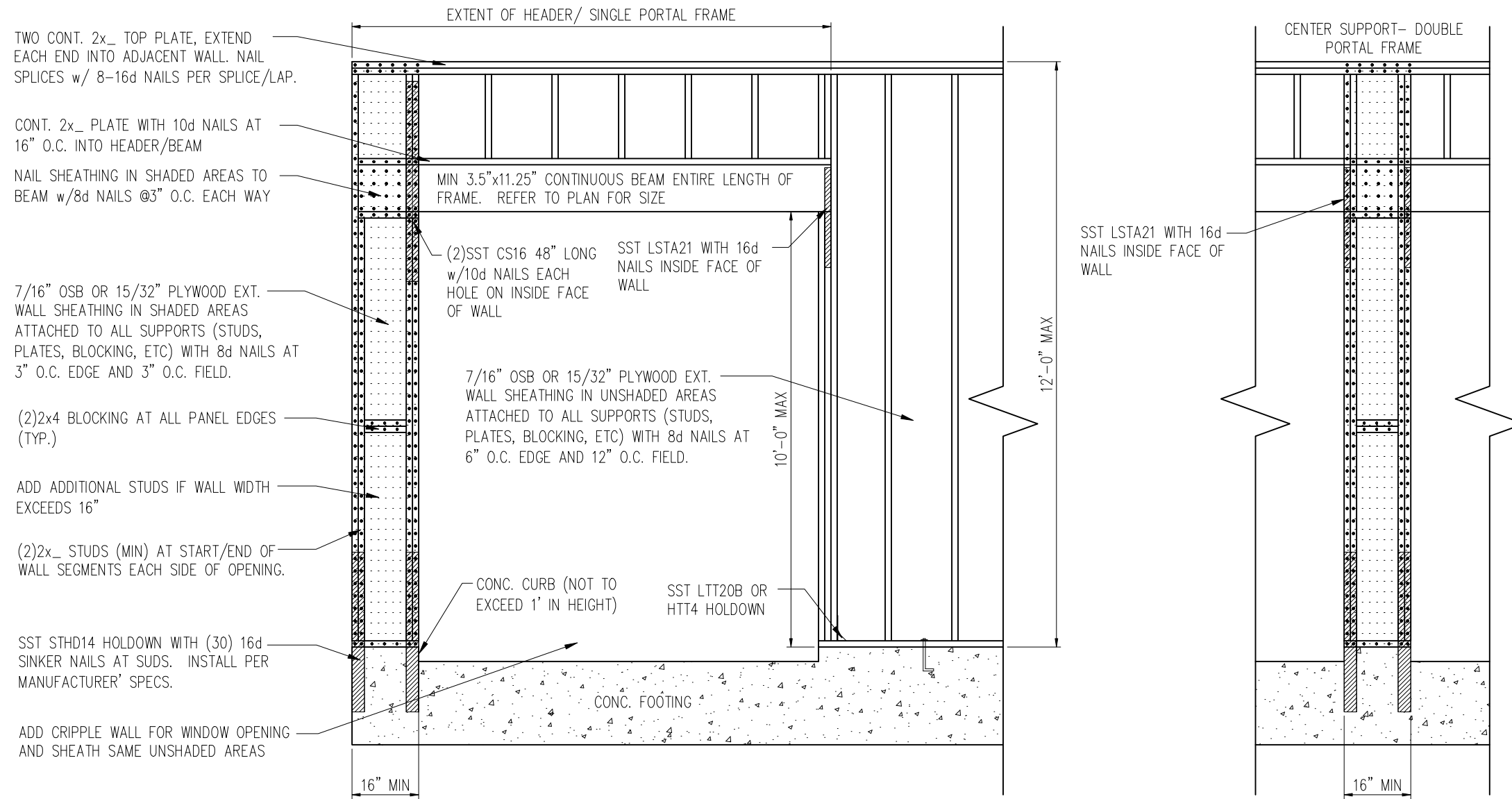
ORIGINAL DRAWING  
DATE: 10/01/19 PROJECT #: 24512

REFER TO COVER SHEET FOR A COMPLETE LIST OF REVISIONS



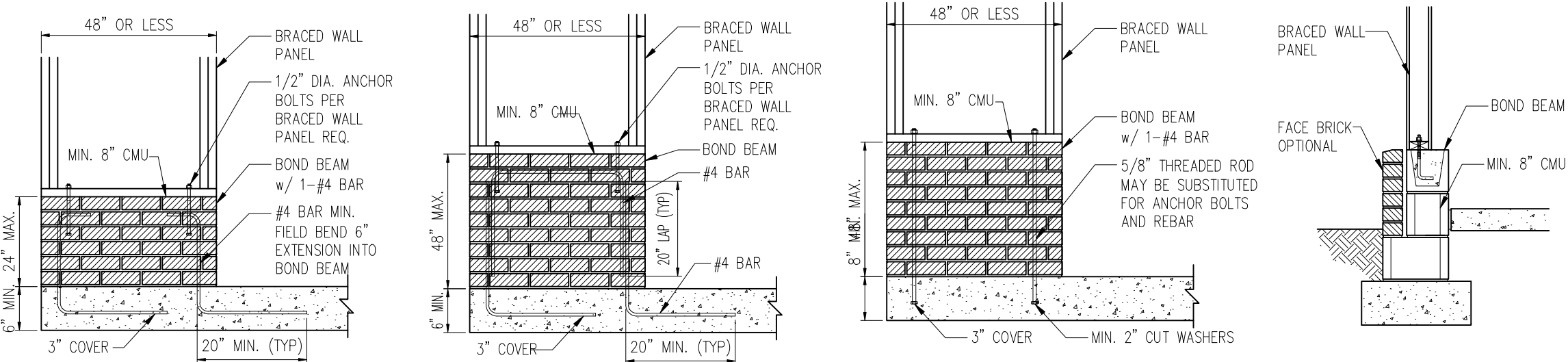
STRUCTURAL MEMBERS ONLY

SHEET  
**D1f**

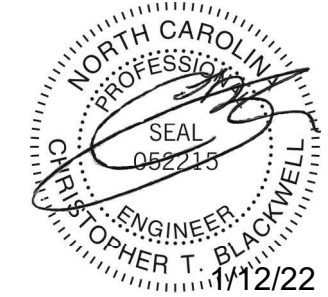


- TWO CONT. 2x\_ TOP PLATE, EXTEND EACH END INTO ADJACENT WALL. NAIL SPLICES w/ 8-16d NAILS PER SPLICE/LAP.
- CONT. 2x\_ PLATE WITH 10d NAILS AT 16" O.C. INTO HEADER/BREAM
- NAIL SHEATHING IN SHADED AREAS TO BEAM w/8d NAILS @3" O.C. EACH WAY
- 7/16" OSB OR 15/32" PLYWOOD EXT. WALL SHEATHING IN SHADED AREAS ATTACHED TO ALL SUPPORTS (STUDS, PLATES, BLOCKING, ETC) WITH 8d NAILS AT 3" O.C. EDGE AND 3" O.C. FIELD.
- (2)2x4 BLOCKING AT ALL PANEL EDGES (TYP.)
- ADD ADDITIONAL STUDS IF WALL WIDTH EXCEEDS 16"
- (2)2x\_ STUDS (MIN) AT START/END OF WALL SEGMENTS EACH SIDE OF OPENING.
- SST STD14 HOLDOWN WITH (30) 16d SINKER NAILS AT SUDS. INSTALL PER MANUFACTURER' SPECS.
- ADD CRIPPLE WALL FOR WINDOW OPENING AND SHEATH SAME UNSHADED AREAS

1 METHOD PF: PORTAL FRAME DETAIL w/ HOLD-DOWNS  
 D2f 3/4" = 1'-0"

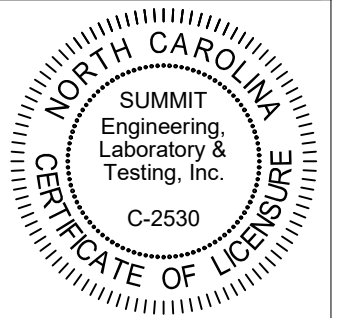


2 MASONRY STEM WALLS SUPPORTING BRACED WALL PANELS  
 D2f NTS



STRUCTURAL MEMBERS ONLY

**SUMMIT**  
 ENGINEERING LABORATORY TESTING  
 3070 HAMMOND BUSINESS PLACE, SUITE 171  
 RALEIGH, NC 27603  
 OFFICE: 919.380.9991  
 FAX: 919.380.9993  
 WWW.SUMMIT-COMPANIES.COM



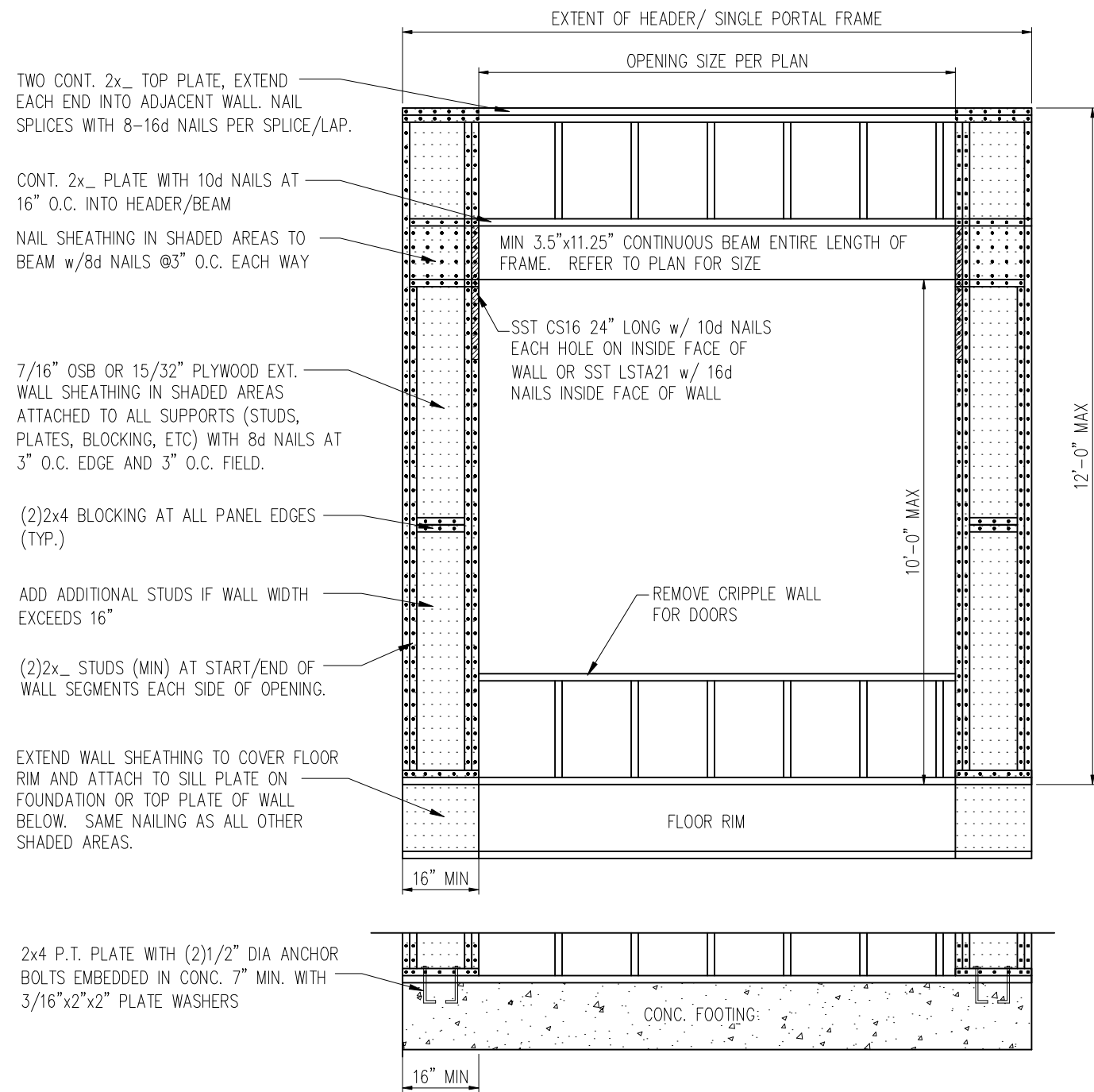
PROJECT  
**Standard Details - Bracing**  
**Framing Details - Bracing**  
 CLIENT  
**LGI Homes**  
**3037 Sherman Drive**  
**Lancaster, SC 29720**

CURRENT DRAWING  
 DATE: 10/05/21  
 SCALE: NTS  
 PROJECT #: 3554.T0040  
 DRAWN BY: MSB  
 CHECKED BY: CTB

ORIGINAL DRAWING  
 DATE: 10/01/19 PROJECT #: 24512

REFER TO COVER SHEET FOR A COMPLETE LIST OF REVISIONS

SHEET  
**D2f**



TWO CONT. 2x\_ TOP PLATE, EXTEND EACH END INTO ADJACENT WALL. NAIL SPLICES WITH 8-16d NAILS PER SPLICE/LAP.

CONT. 2x\_ PLATE WITH 10d NAILS AT 16\" O.C. INTO HEADER/BEAM

NAIL SHEATHING IN SHADED AREAS TO BEAM w/8d NAILS @3\" O.C. EACH WAY

7/16\" OSB OR 15/32\" PLYWOOD EXT. WALL SHEATHING IN SHADED AREAS ATTACHED TO ALL SUPPORTS (STUDS, PLATES, BLOCKING, ETC) WITH 8d NAILS AT 3\" O.C. EDGE AND 3\" O.C. FIELD.

(2)2x4 BLOCKING AT ALL PANEL EDGES (TYP.)

ADD ADDITIONAL STUDS IF WALL WIDTH EXCEEDS 16\"

(2)2x\_ STUDS (MIN) AT START/END OF WALL SEGMENTS EACH SIDE OF OPENING.

EXTEND WALL SHEATHING TO COVER FLOOR RIM AND ATTACH TO SILL PLATE ON FOUNDATION OR TOP PLATE OF WALL BELOW. SAME NAILING AS ALL OTHER SHADED AREAS.

2x4 P.T. PLATE WITH (2)1/2\" DIA ANCHOR BOLTS EMBEDDED IN CONC. 7\" MIN. WITH 3/16\"x2\"x2\" PLATE WASHERS

MIN 3.5\"x11.25\" CONTINUOUS BEAM ENTIRE LENGTH OF FRAME. REFER TO PLAN FOR SIZE

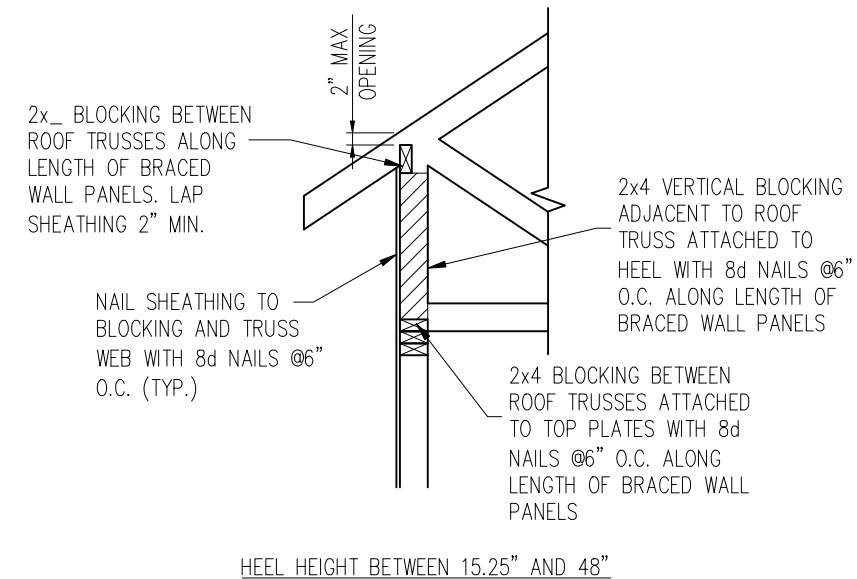
SST CS16 24\" LONG w/ 10d NAILS EACH HOLE ON INSIDE FACE OF WALL OR SST LSTA21 w/ 16d NAILS INSIDE FACE OF WALL

REMOVE CRIPPLE WALL FOR DOORS

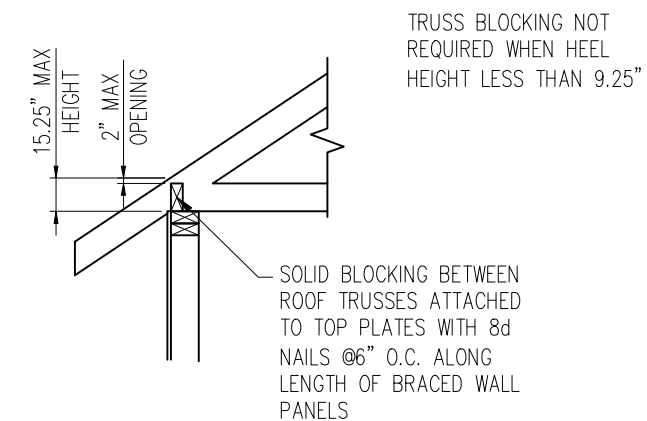
FLOOR RIM

CONC. FOOTING

1 METHOD PF: PORTAL FRAME DETAIL  
D3f 3/4\" = 1'-0\" OPENINGS UNDER 8'-0\"



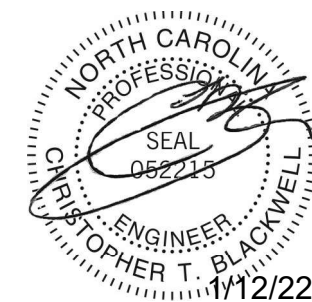
HEEL HEIGHT BETWEEN 15.25\" AND 48\"



HEEL HEIGHT BETWEEN 9.25\" AND 15.25\"

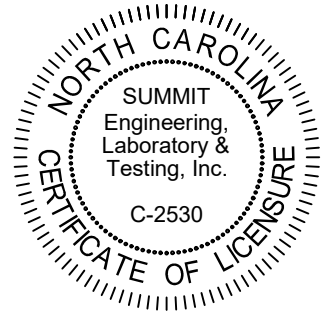
2 TYP. WALL PANEL TO ROOF TRUSS CONNECTION

D3f 1\" = 1'-0\"



STRUCTURAL MEMBERS ONLY

**SUMMIT**  
ENGINEERING LABORATORY TESTING  
3070 HAMMOND BUSINESS PLACE, SUITE 171  
RALEIGH, NC 27603  
OFFICE: 919.380.9991  
FAX: 919.380.9993  
WWW.SUMMIT-COMPANIES.COM



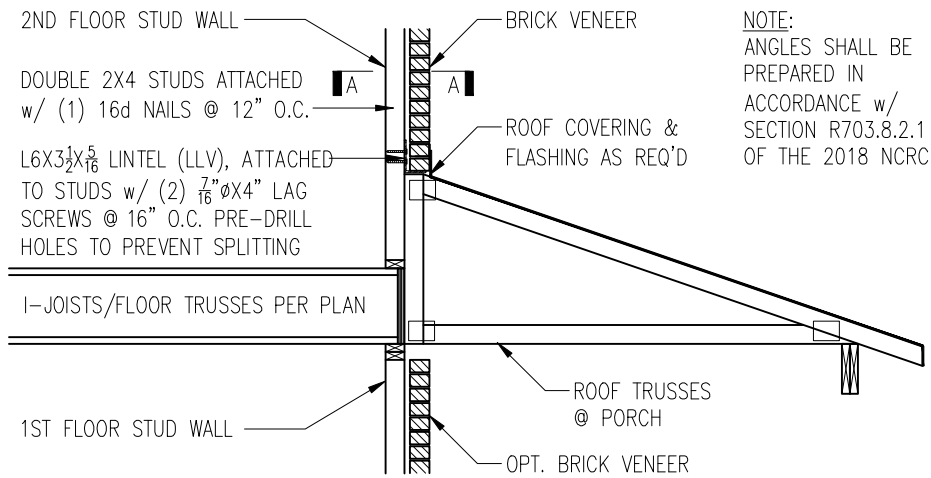
PROJECT  
**Standard Details - Bracing**  
Framing Details - Bracing  
CLIENT  
LGI Homes  
3037 Sherman Drive  
Lancaster, SC 29720

CURRENT DRAWING  
DATE: 10/05/21  
SCALE: NTS  
PROJECT #: 3554.T0040  
DRAWN BY: MSB  
CHECKED BY: CTB

ORIGINAL DRAWING  
DATE: 10/01/19 PROJECT #: 24512

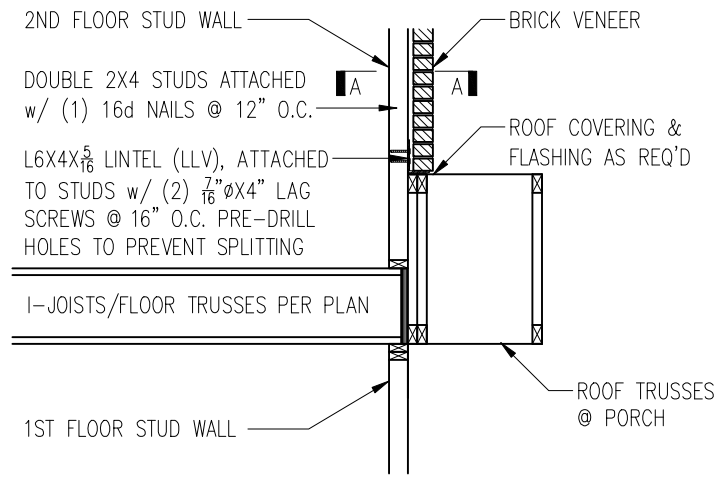
REFER TO COVER SHEET FOR A COMPLETE LIST OF REVISIONS

SHEET  
**D3f**

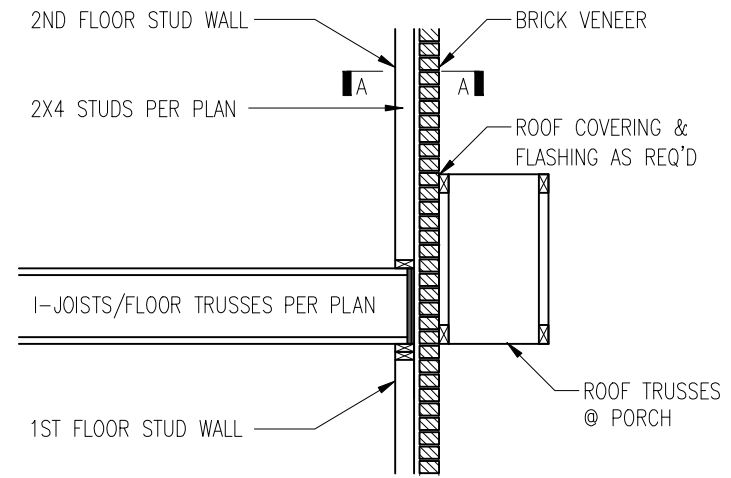


NOTE:  
ANGLES SHALL BE  
PREPARED IN  
ACCORDANCE w/  
SECTION R703.8.2.1  
OF THE 2018 NCR

TRUSSES PERPENDICULAR TO STUD WALL

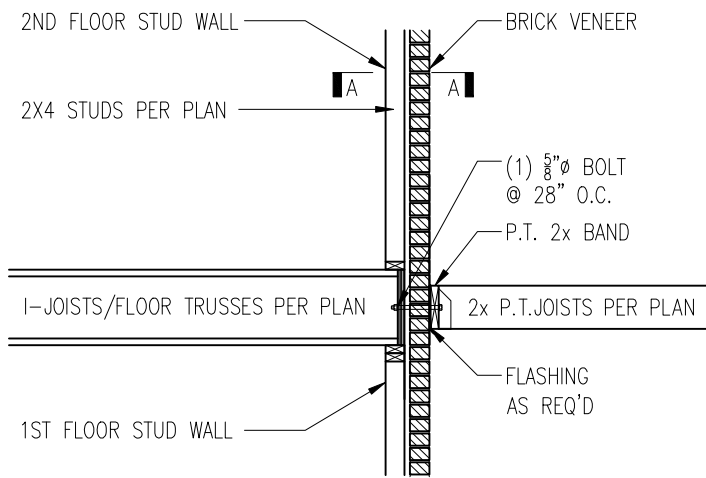


TRUSSES PARALLEL TO STUD WALL

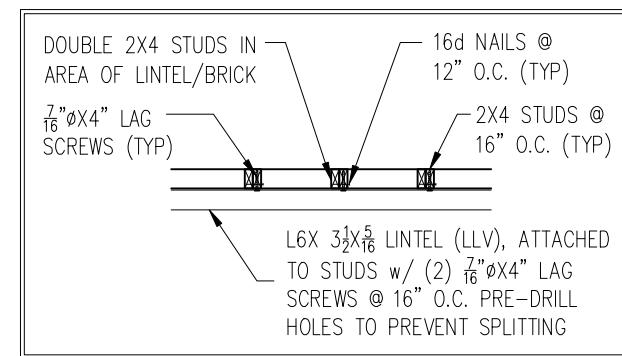


TRUSSES PARALLEL TO STUD WALL  
w/ CONTINUOUS BRICK VENEER

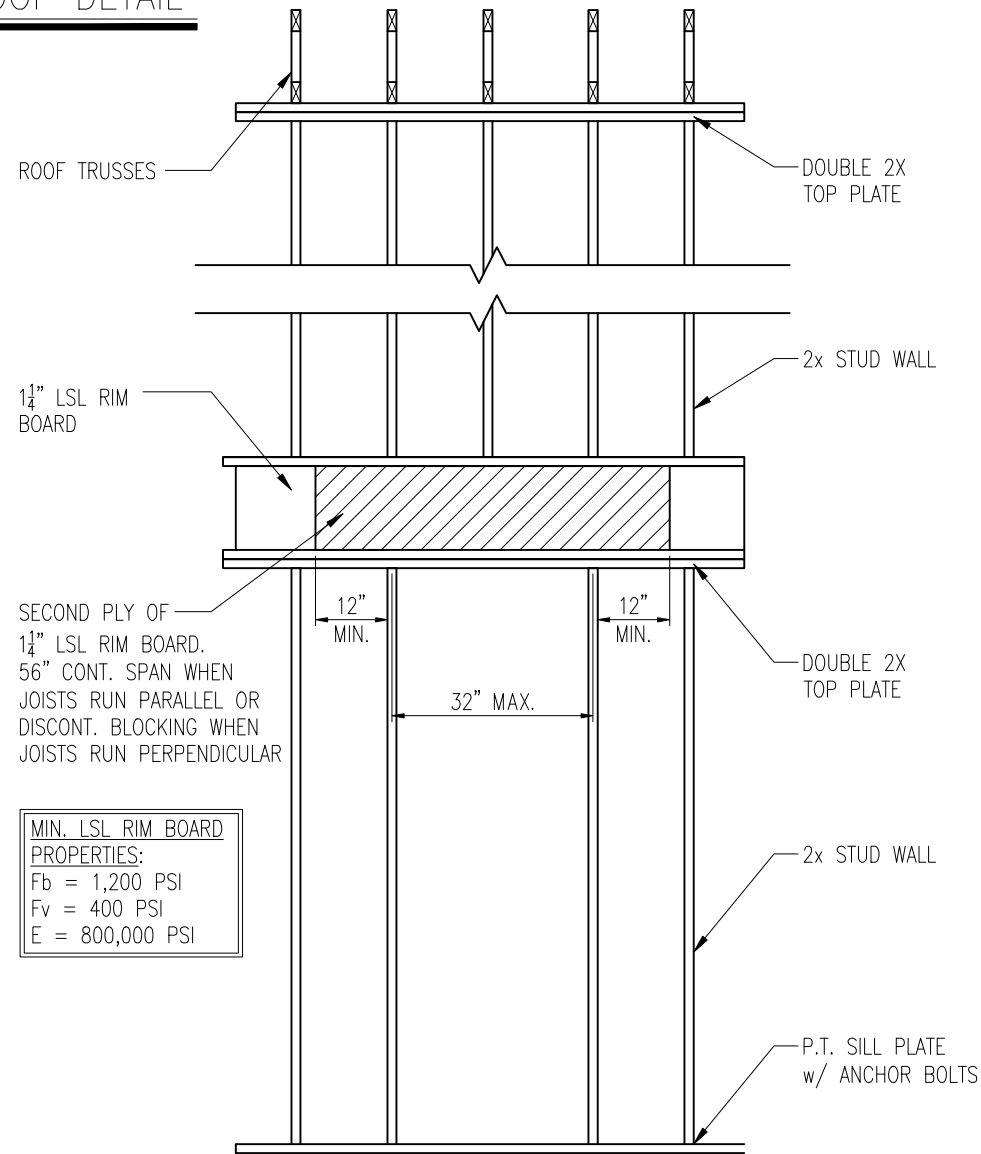
1 BRICK SUPPORT ABOVE STORAGE/PORCH ROOF DETAIL  
D4f NTS



3 BALCONY JOIST ATTACHMENT  
D4f NTS



SECTION A-A  
NTS



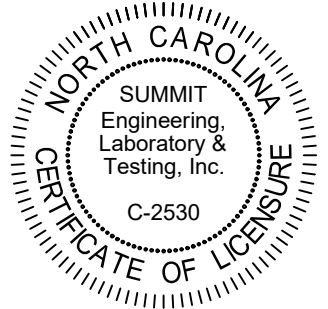
MIN. LSL RIM BOARD  
PROPERTIES:  
Fb = 1,200 PSI  
Fv = 400 PSI  
E = 800,000 PSI

4 TYP. RANGE VENT FRAMING  
D4f NTS



STRUCTURAL MEMBERS ONLY

**SUMMIT**  
ENGINEERING LABORATORY TESTING  
3070 HAMMOND BUSINESS  
PLACE, SUITE 171  
RALEIGH, NC 27603  
OFFICE: 919.380.9991  
FAX: 919.380.9993  
WWW.SUMMIT-COMPANIES.COM



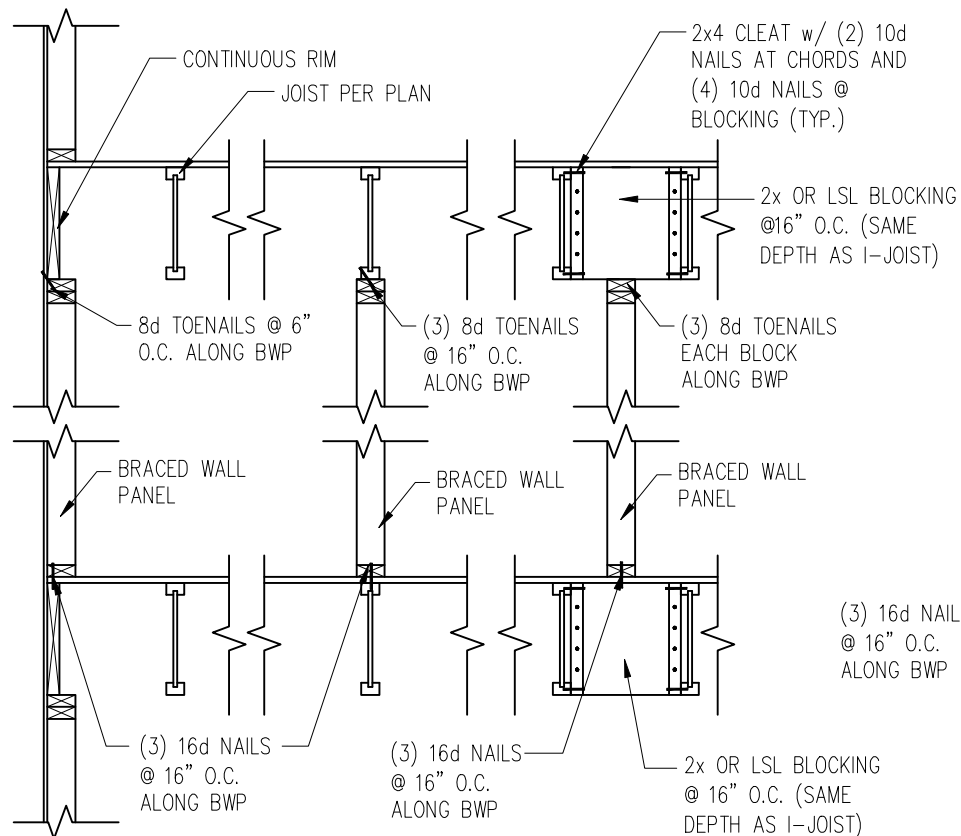
PROJECT  
**Standard Details**  
**Framing Details - Bracing**  
CLIENT  
**LGI Homes**  
3037 Sherman Drive  
Lancaster, SC 29720

CURRENT DRAWING  
DATE: 10/05/21  
SCALE: NTS  
PROJECT #: 3554.T0040  
DRAWN BY: MSB  
CHECKED BY: CTB

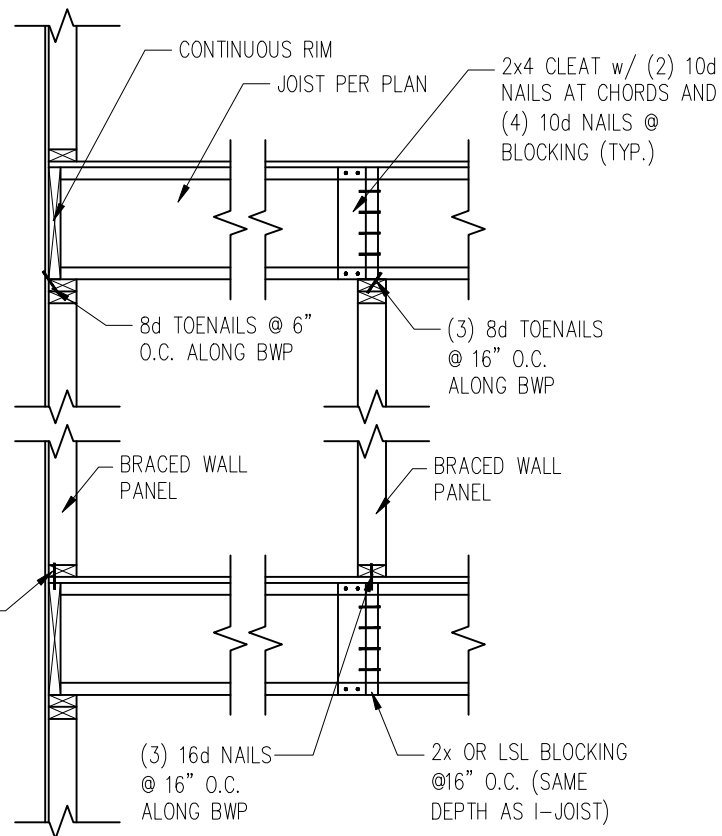
ORIGINAL DRAWING  
DATE: 10/01/19 PROJECT #: 24512

REFER TO COVER SHEET FOR A  
COMPLETE LIST OF REVISIONS

SHEET  
**D4f**

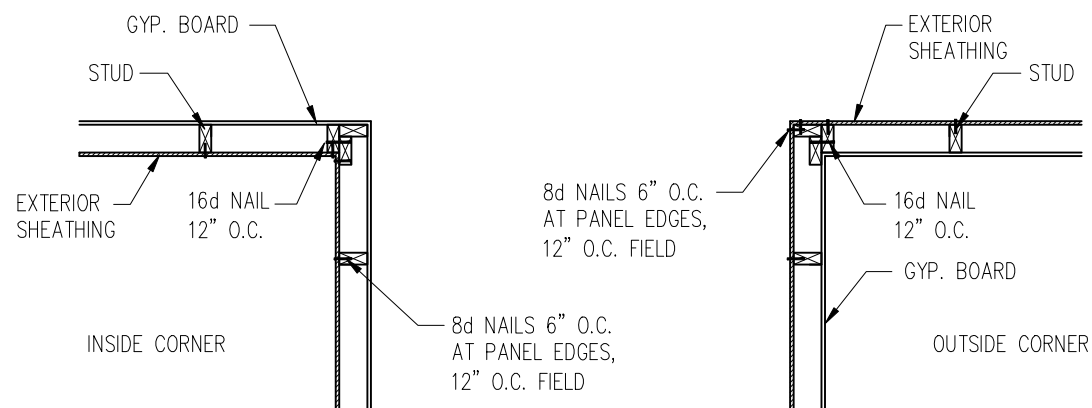


JOISTS PARALLEL TO BRACED WALLS

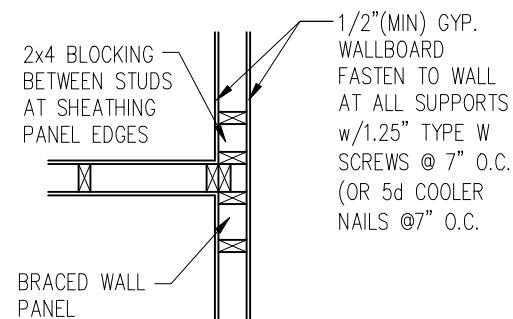


JOISTS PERPENDICULAR TO BRACED WALLS

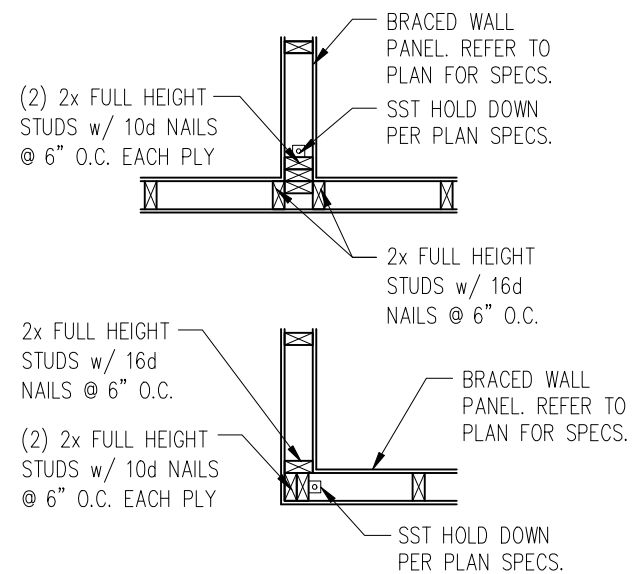
1 TYP. WALL PANEL TO FLOOR/CEILING CONNECTION  
D5f 1" = 1'-0"



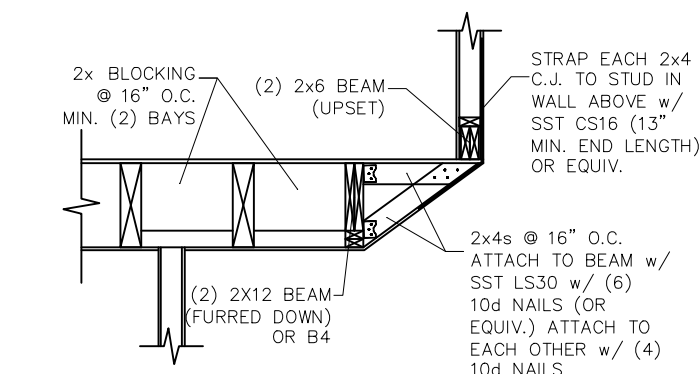
2 TYP. EXTERIOR CORNER FRAMING  
D5f 1" = 1'-0"



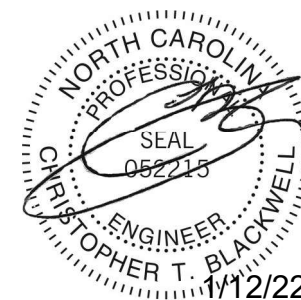
3 INTERIOR 3-STUD WALL INTERSECTION  
D5f 1" = 1'-0"



4 TYP. HOLD DOWN DETAIL  
D5f 1" = 1'-0"

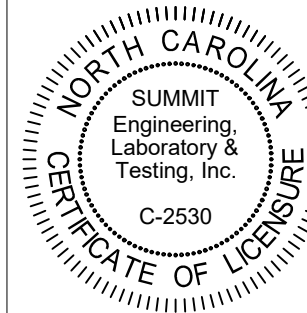


1 FRAMING OVER STAIRS  
S3.0



STRUCTURAL MEMBERS ONLY

**SUMMIT**  
ENGINEERING LABORATORY TESTING  
3070 HAMMOND BUSINESS PLACE, SUITE 171  
RALEIGH, NC 27603  
OFFICE: 919.380.9991  
FAX: 919.380.9993  
WWW.SUMMIT-COMPANIES.COM



PROJECT  
**Standard Details**  
**Framing Details - Bracing**  
CLIENT  
**LGI Homes**  
3037 Sherman Drive  
Lancaster, SC 29720

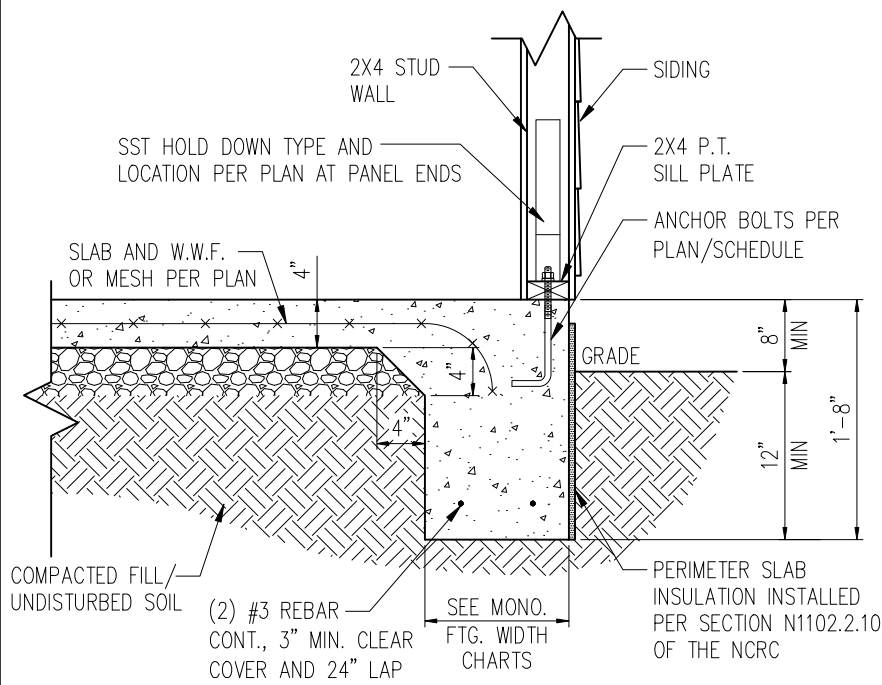
CURRENT DRAWING  
DATE: 10/05/21  
SCALE: NTS  
PROJECT #: 3554.T0040  
DRAWN BY: MSB  
CHECKED BY: CTB

ORIGINAL DRAWING  
DATE: 10/01/19 PROJECT #: 24512

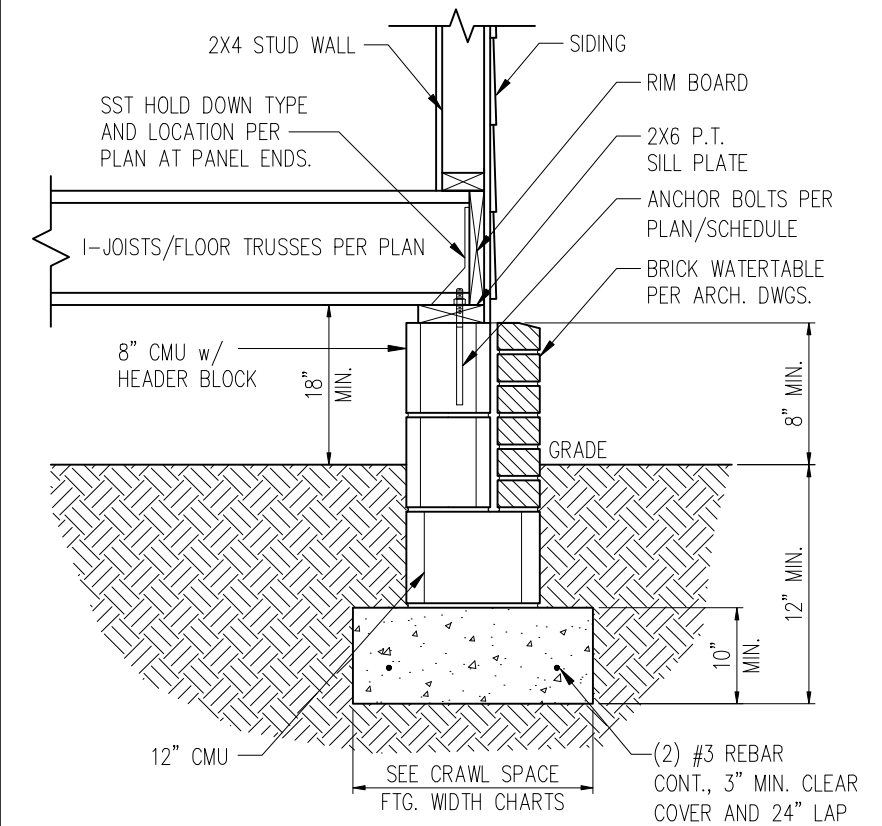
REFER TO COVER SHEET FOR A COMPLETE LIST OF REVISIONS

SHEET

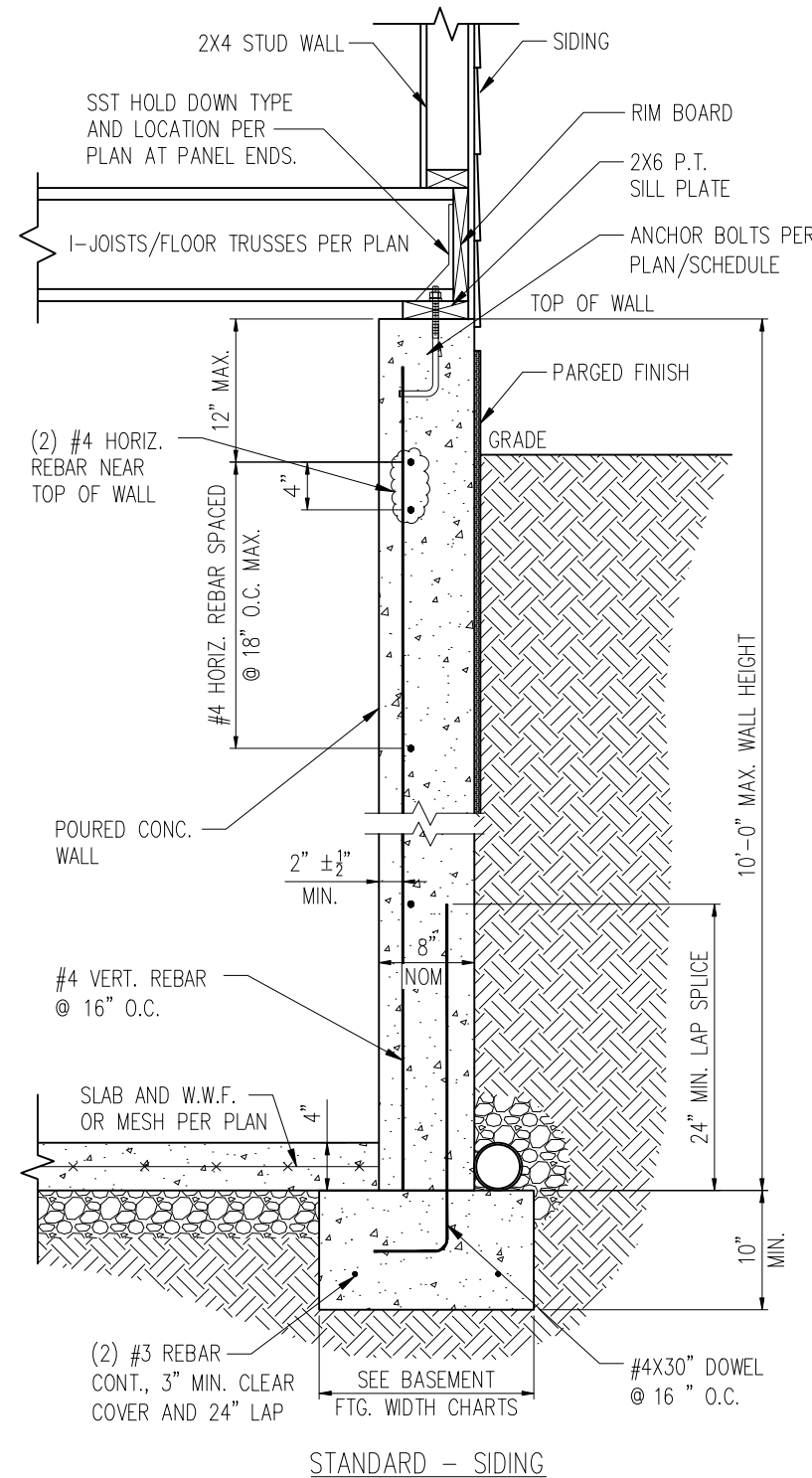
**D5f**



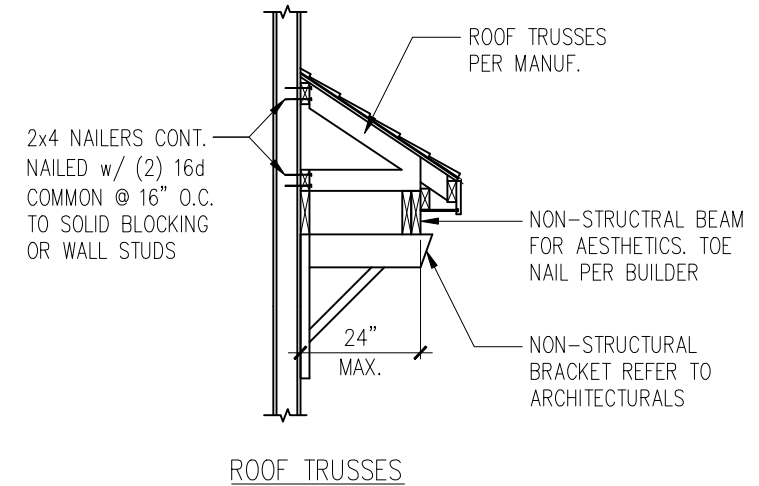
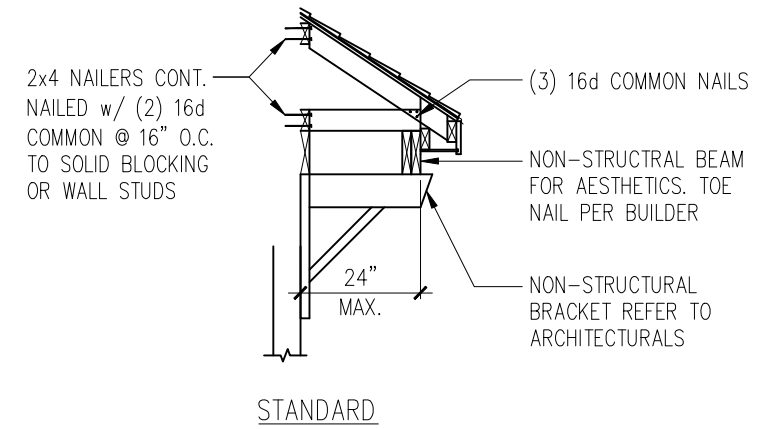
1 SLAB DETAIL w/ HOLD-DOWN  
D6f 3/4" = 1'-0"



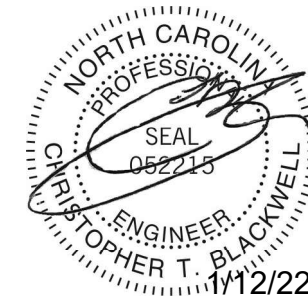
2 CRAWL FOUNDATION WALL DETAIL W/ H-D  
D6f 3/4" = 1'-0"



3 BASEMENT FOUNDATION WALL DETAIL W/ HOLD-DOWN  
D6f 3/4" = 1'-0"

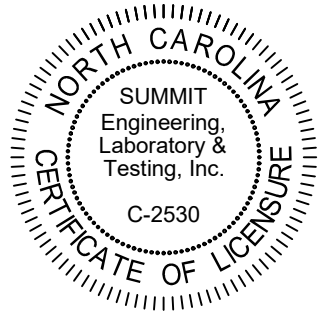


4 GABLE ROOF RETURN  
D6f N.T.S.



STRUCTURAL MEMBERS ONLY

**SUMMIT**  
ENGINEERING LABORATORY TESTING  
3070 HAMMOND BUSINESS PLACE, SUITE 171  
RALEIGH, NC 27603  
OFFICE: 919.380.9991  
FAX: 919.380.9993  
WWW.SUMMIT-COMPANIES.COM



PROJECT Standard Details - Bracing  
Framing Details - Bracing  
CLIENT LGI Homes  
3037 Sherman Drive  
Lancaster, SC 29720

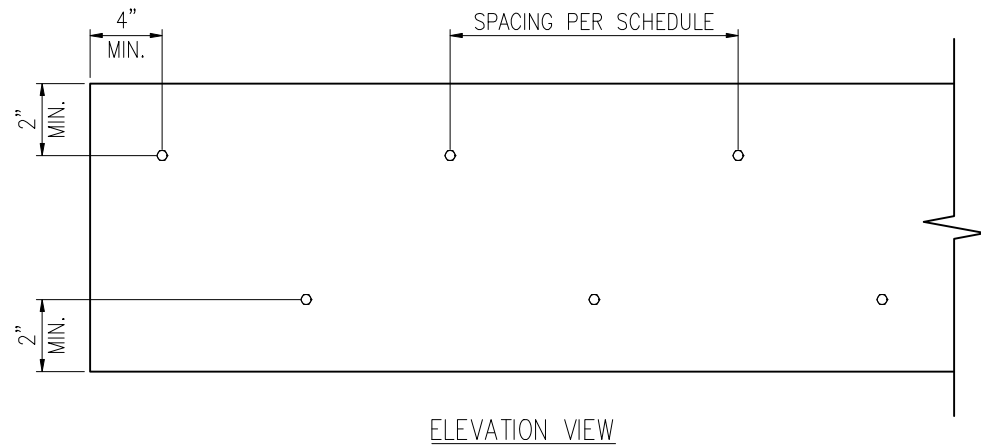
CURRENT DRAWING  
DATE: 10/05/21  
SCALE: NTS  
PROJECT #: 3554.T0040  
DRAWN BY: MSB  
CHECKED BY: CTB

ORIGINAL DRAWING  
DATE 10/01/19 PROJECT # 24512

REFER TO COVER SHEET FOR A COMPLETE LIST OF REVISIONS

SHEET

D6f



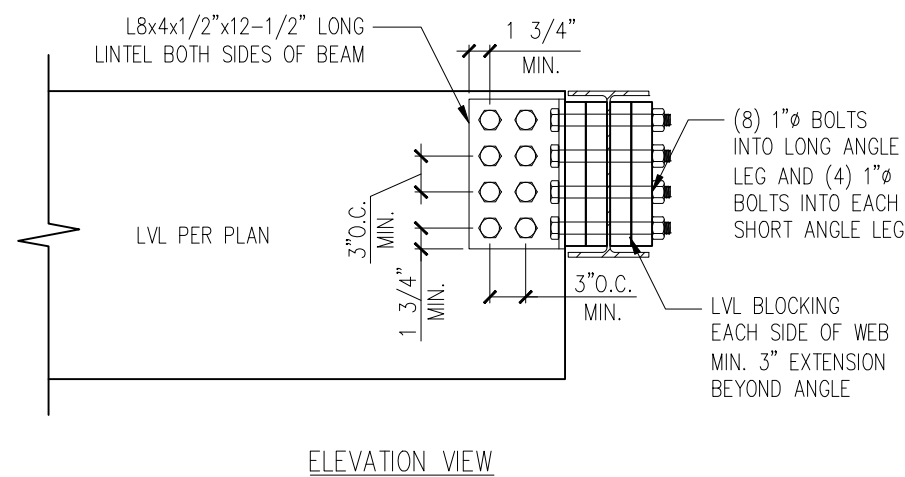
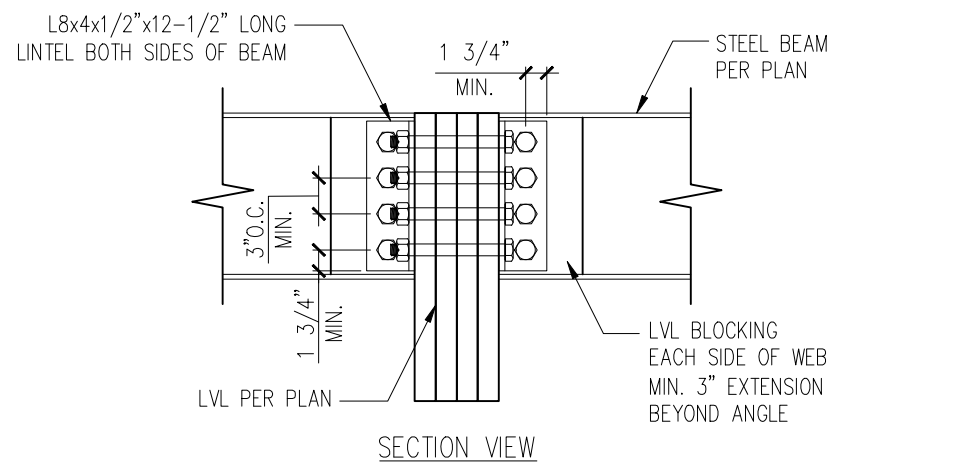
1 MULTI-PLY BEAM CONNECTION DETAIL  
D7f N.T.S

MINIMUM FASTENING REQUIREMENTS FOR TOP- AND SIDE-LOADED MEMBERS

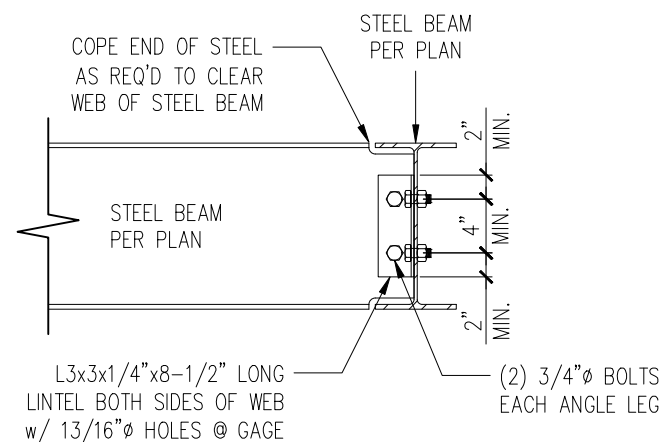
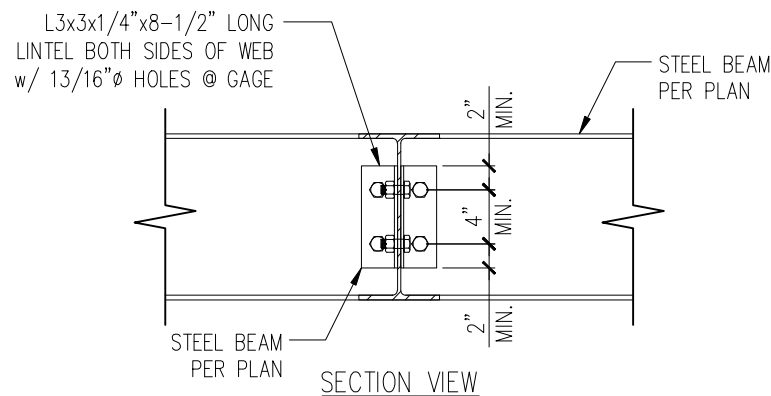
FASTENER TYPE	LVL DEPTH	3 1/2" WIDE		5 1/4" WIDE		7" WIDE	
		2-Ply 1 3/4"	3-Ply 1 3/4"	1 3/4" + 3 1/2"	4-Ply 1 3/4"	2-Ply 1 3/4" + 3 1/2"	2-Ply 3 1/2"
10d (0.128" x 3") Nails	7 1/4" ≤ d < 14"	3 rows @ 12" o.c.	3 rows @ 12" o.c. (ES)	3 rows @ 12" o.c.	-	3 rows @ 12" o.c. (ES)	-
	d ≥ 14"	4 rows @ 12" o.c.	4 rows @ 12" o.c. (ES)	4 rows @ 12" o.c.	-	4 rows @ 12" o.c. (ES)	-
16d (0.162" x 3 1/2") Nails	7 1/4" ≤ d < 14"	2 rows @ 12" o.c.	2 rows @ 12" o.c. (ES)	2 rows @ 12" o.c.	-	2 rows @ 12" o.c. (ES)	-
	d ≥ 14"	3 rows @ 12" o.c.	3 rows @ 12" o.c. (ES)	3 rows @ 12" o.c.	-	3 rows @ 12" o.c. (ES)	-
1/2" Through Bolts	d ≥ 7 1/4"	2 rows @ 24" o.c.		2 rows @ 24" o.c.		2 rows @ 24" o.c.	
SDS 1/4" x 3 1/2", WS35, 3 3/8" TrussLok		2 rows @ 24" o.c.	2 rows @ 24" o.c. (ES)	2 rows @ 24" o.c.	-	2 rows @ 24" o.c. (ES)	-
SDS 1/4" x 6", WS6		-	-	-	2 rows @ 24" o.c. (ES)		-
5" TrussLok		-	2 rows @ 24" o.c.		-		-
6 3/4" TrussLok		-	-		-		2 rows @ 24" o.c.

NOTES:

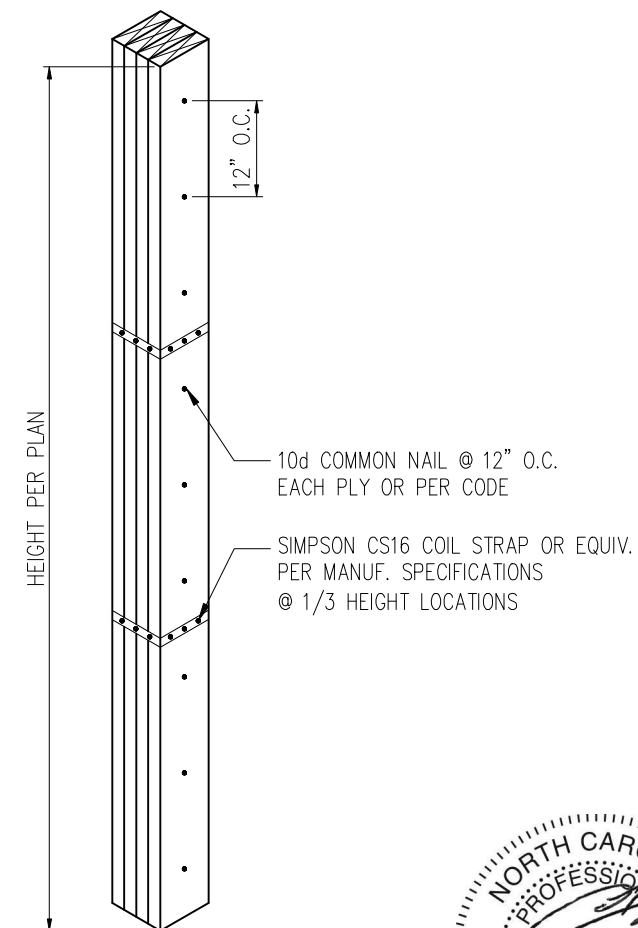
- All fasteners must meet the minimum requirements in the table above. Side-loaded multiple-ply members must meet the minimum fastening and side-loading capacity requirements given on page 48.
- Minimum fastening requirements for depths less than 7 1/4" require special consideration. Please contact your technical representative.
- Three general rules for staggering or offsetting for a certain fastener schedule:
  - If staggering or offsetting is not referenced, then none is required;
  - If staggering is referenced, then fasteners installed in adjacent rows on the front side are to be staggered up to one-half the o.c. spacing, but maintaining the fastener clearances above; and
  - If "ES" is referenced, then the fastener schedule must be repeated on each side, with the fasteners on the back side offset up to one-half the o.c. spacing of the front side (whether or not it is staggered).



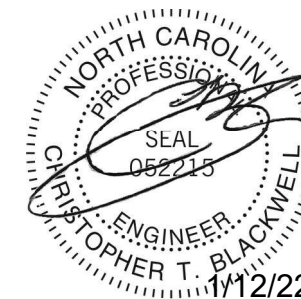
2 LVL TO STEEL DETAIL  
D7f N.T.S



3 STEEL TO STEEL DETAIL  
D7f N.T.S

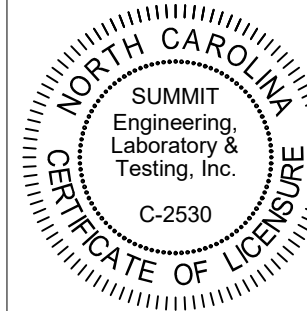


4 MULTI-PLY STUD CONNECTION DETAIL  
D7f N.T.S 4+ PLYS



STRUCTURAL MEMBERS ONLY

**SUMMIT**  
ENGINEERING LABORATORY TESTING  
3070 HAMMOND BUSINESS PLACE, SUITE 171  
RALEIGH, NC 27603  
OFFICE: 919.380.9991  
FAX: 919.380.9993  
WWW.SUMMIT-COMPANIES.COM



PROJECT  
Standard Details  
Framing Details - Bracing  
CLIENT  
LGI Homes  
3037 Sherman Drive  
Lancaster, SC 29720

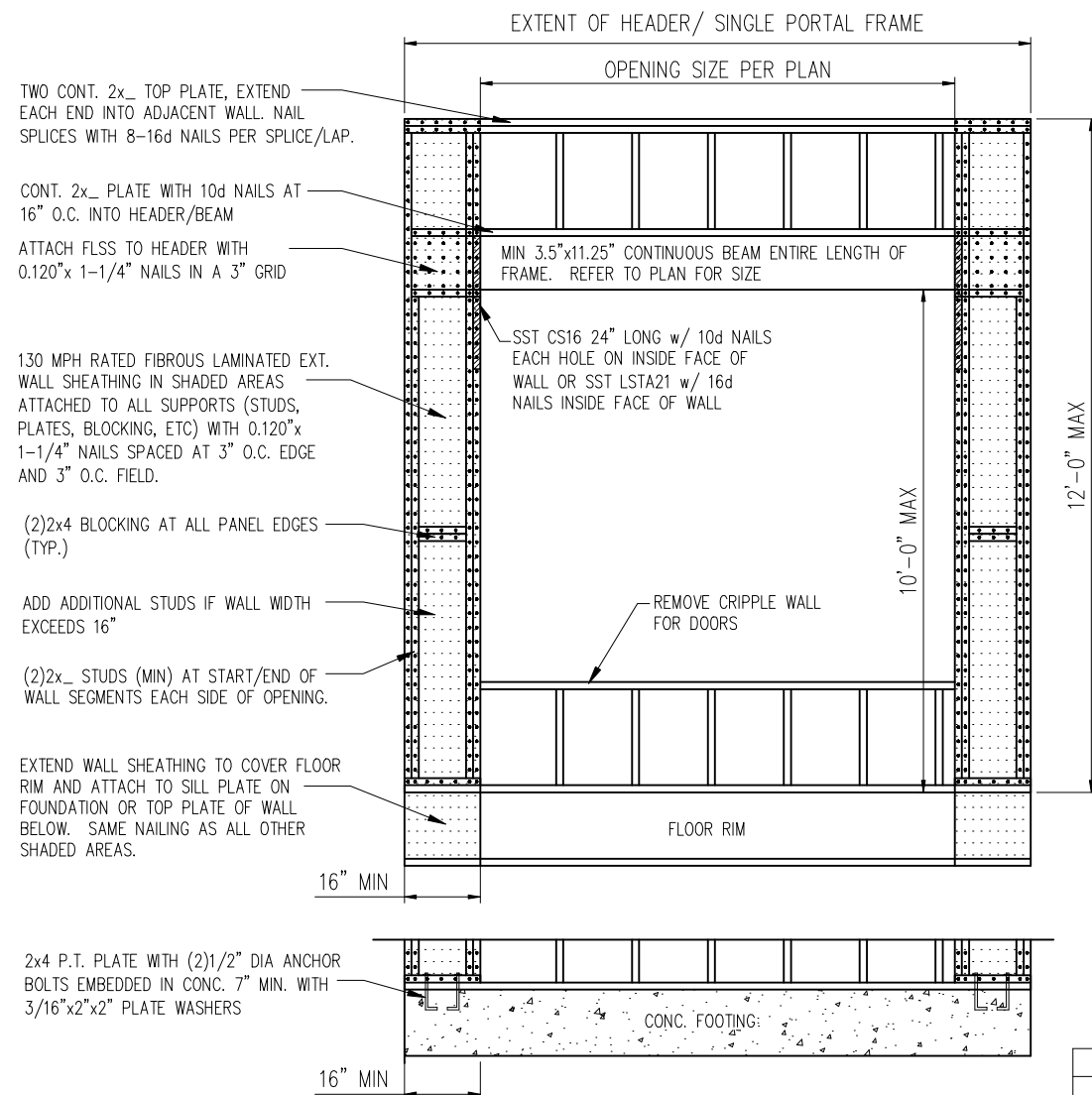
CURRENT DRAWING  
DATE: 10/05/21  
SCALE: NTS  
PROJECT #: 3554.T0040  
DRAWN BY: MSB  
CHECKED BY: CTB

ORIGINAL DRAWING  
DATE: 10/01/19 PROJECT #: 24512

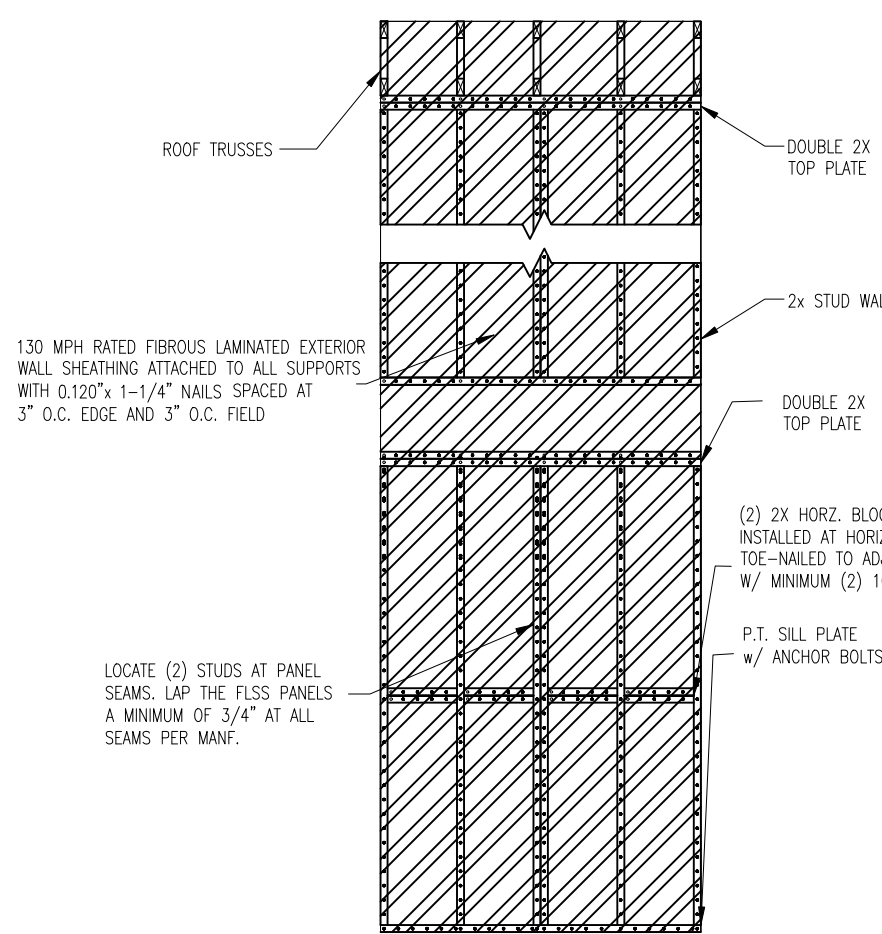
REFER TO COVER SHEET FOR A COMPLETE LIST OF REVISIONS

SHEET

D7f



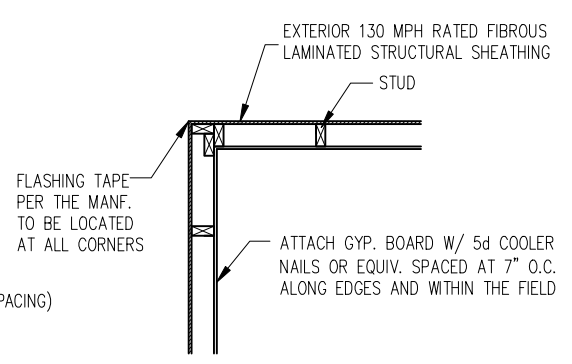
1 METHOD PF: PORTAL FRAME DETAIL  
D8f NTS



2 TYP. WALL BRACING  
D8f NTS

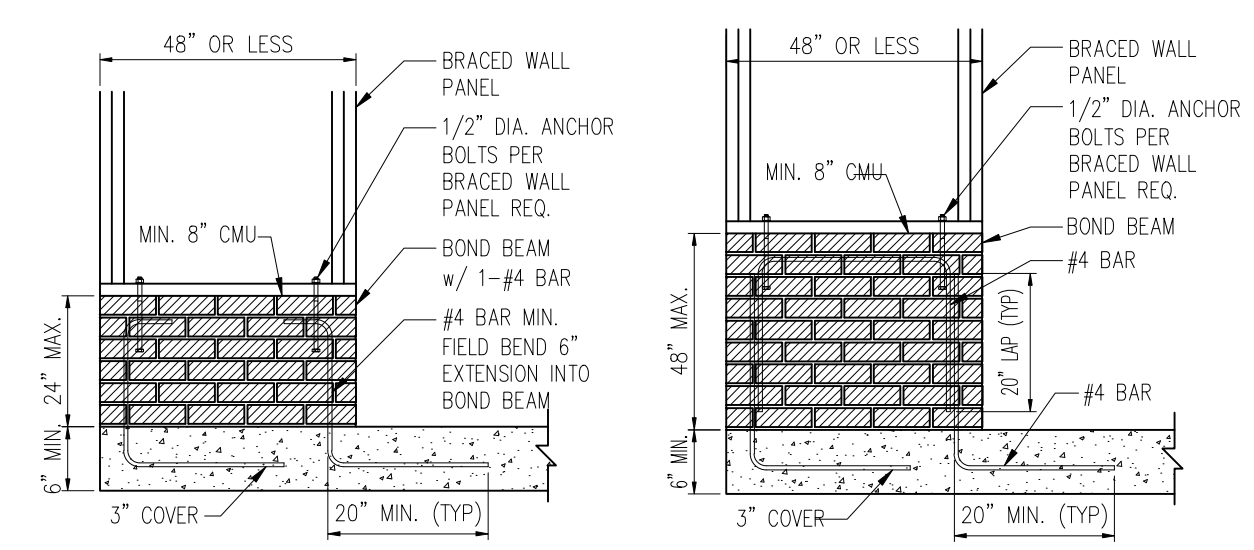
ALLOWED FIBROUS LAMINATED STRUCTURAL SHEATHING (FLSS) for PORTAL FRAMES					
BRAND	MATERIAL	PRODUCT	REQUIRED CONNECTION		TECHNICAL EVALUATION REPORT*
			• PANEL EDGES	• INTERMEDIATE SUPPORTS	
OX ENGINEERED PRODUCTS, LLC	FIBROUS LAMINATED STRUCTURAL SHEATHING	THERMOPLY RED	3/8\"/>		

\*BASED ON TECHNICAL EVALUATION REPORT FROM DJJ ENGINEERING, LLC

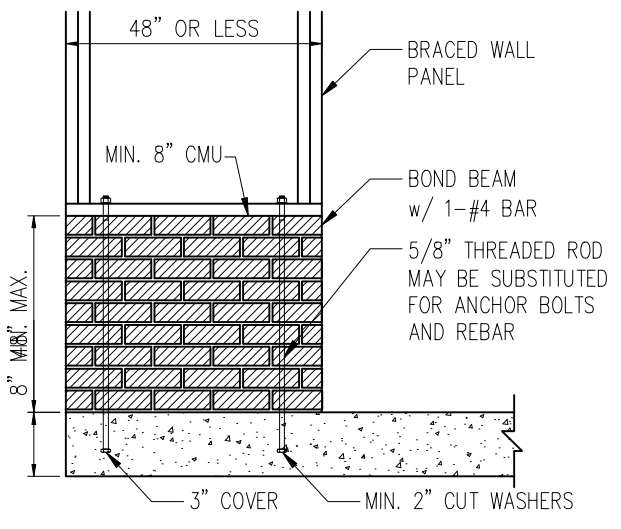


3 TYP. EXTERIOR CORNER FRAMING  
D8f NTS

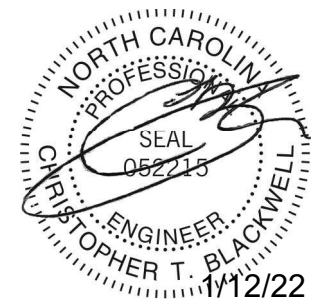
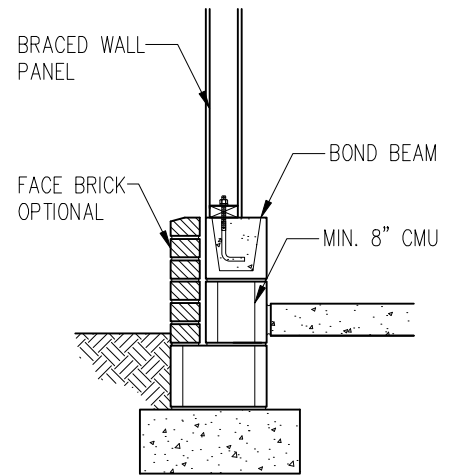
**NOTES:**  
 -BRACED WALLS SHALL BE INSTALLED PER THE LENGTHS SHOWN ON THE SEALED PLANS.  
 -16 GA. STAPLES MAY BE SUBSTITUTED WITH 0.120"x 1-1/4" NAILS OR 11 GAUGE 1-1/4-INCH LENGTH NAILS.  
 -STAPLE CROWNS SHALL BE INSTALLED PARALLEL TO FRAMING.  
 -WHERE 3/4" OVERLAP IS NOT INSTALLED, CONTRACTOR MAY COVER SEAM WITH 5" BUTYL FLASHING TAPE.  
 -FLASH WINDOWS AND DOORS PER MANF.  
 -LAP SIDING, STONE/BRICK VENEER, AND STUCCO MAY ALL BE INSTALLED FOR EXTERIOR CLADDING PROVIDED THAT THE FLSS MANUFACTURER'S INSTRUCTIONS ARE FOLLOWED AT THE TIME OF INSTALLATION.  
 -SPRUCE-PINE-FIR AND SOUTHERN YELLOW PINE MAY BE USED. CONTRACTOR SHALL VERIFY THE SPECIES OF WOOD REFERENCED ON THE APPROVED PLANS.  
 -THE DETAILS ABOVE ARE LIMITED TO 130 MPH WIND ZONES WIND EXPOSURE C



4 MASONRY STEM WALLS SUPPORTING BRACED WALL PANELS  
D7f NTS

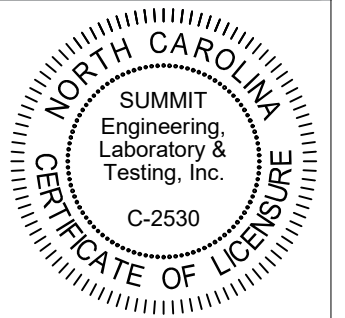


NOTE: GROUT BOND BEAMS AND ALL CELLS WHICH CONTAIN REBAR, THREADED RODS AND ANCHOR BOLTS



STRUCTURAL MEMBERS ONLY

**SUMMIT**  
 ENGINEERING LABORATORY TESTING  
 3070 HAMMOND BUSINESS PLACE, SUITE 171  
 RALEIGH, NC 27603  
 OFFICE: 919.380.9991  
 FAX: 919.380.9993  
 WWW.SUMMIT-COMPANIES.COM



PROJECT  
**Standard Details**  
**Framing Details - Bracing**  
 CLIENT  
**LGI Homes**  
**3037 Sherman Drive**  
**Lancaster, SC 29720**

CURRENT DRAWING  
 DATE: 10/05/21  
 SCALE: NTS  
 PROJECT #: 3554.T0040  
 DRAWN BY: MSB  
 CHECKED BY: CTB

ORIGINAL DRAWING  
 DATE: 10/01/19  
 PROJECT #: 24512

REFER TO COVER SHEET FOR A COMPLETE LIST OF REVISIONS

SHEET  
**D8f**